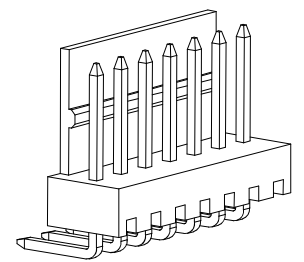
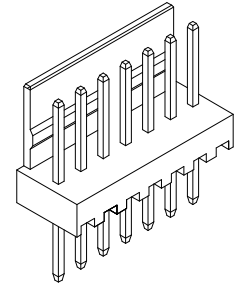
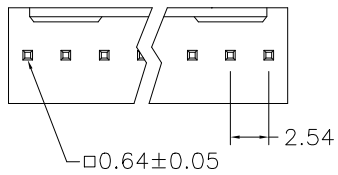


REV.	SPECIFICATION	ECN NO.	APPD.

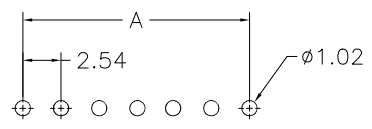
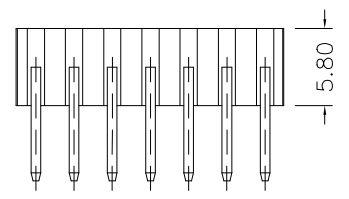
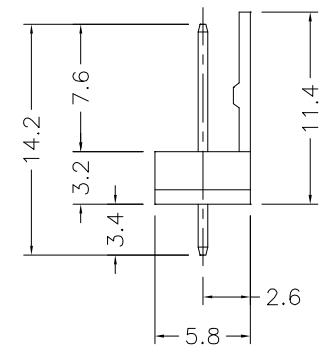
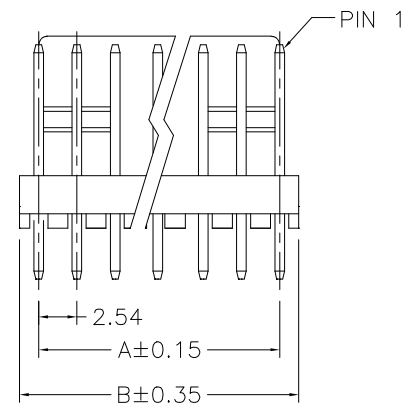
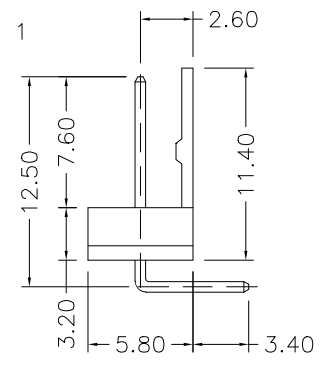
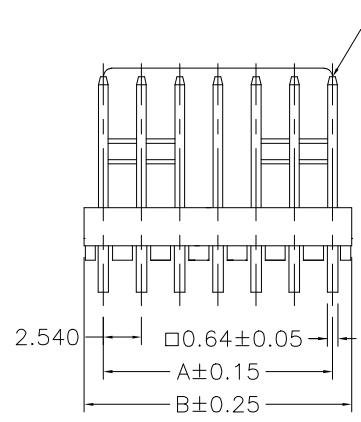
Right Angle



Straight



Material:
Housing: PA66, UL94V-0.
Contacts: Brass, 80u" Tin Plated over Nickel 30u".
Electrical Characteristics:
Voltage Rating: AC/DC 250V.
Current Rating: 3 AMP.
Dielectric Withstanding Voltage: AC 1000V for 1 minute.
Insulation Resistance: 1000MΩ min. at DC 500V.
Contact Resistance: 20mΩ max.
Operating Temperature: -25°C~+85°C.
***RoHS Compliant**



P.C. Board Layout
(Tolerance:±0.05)

4071- Series **xx** No. of Positions **T** Tin Plated **x** S: Straight **B** Bulk **-HT** High Temperature
R: Right Angle Package Plastic

Positions	Dimension	
	A	B
2	2.54	5.12
3	5.08	7.66
4	7.62	10.20
5	10.16	12.74
6	12.70	15.30
7	15.24	17.94

Tolerances	Dwg. No.	4071D01006	Title:	4071 Series
.x = ±0.35	Projection		Wafer 2.54mm	
.xx = ±0.25	Unit	mm		
.xxx = ±0.15	Scale	1:N		
	Drawn By	Emma 01/27'21		

704

OUPIIN			
OUPIIN ELECTRONIC(KUNSHAN) CO., LTD.			
P/N: 4071-xxTxB-HT			
SHEET	1/1	Ver.No.	A3