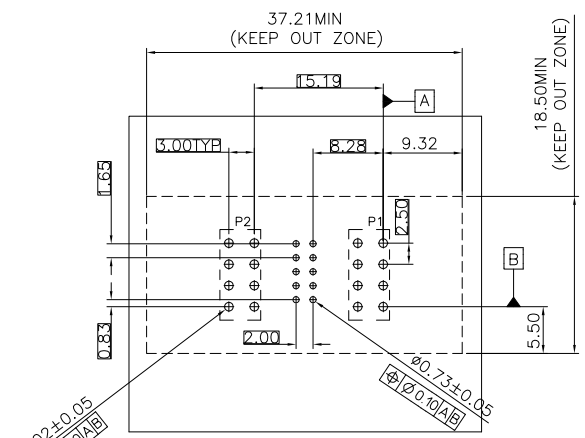
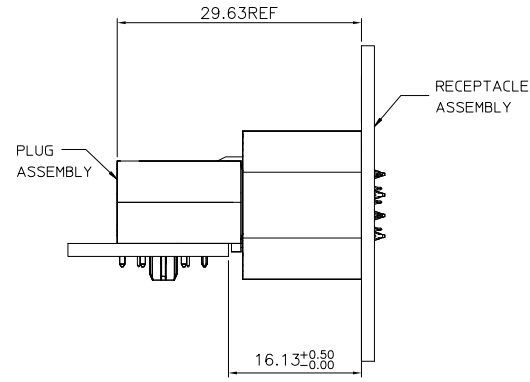
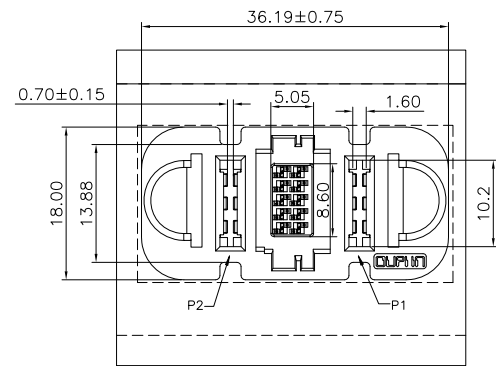
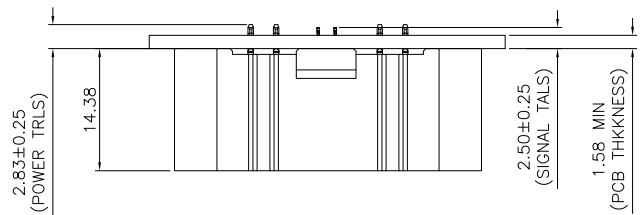


REV.	SPECIFICATION	ECN NO.	APPD.
R3		ECN200550	



P.C.Board Layout  
(Tolerance:±0.05)

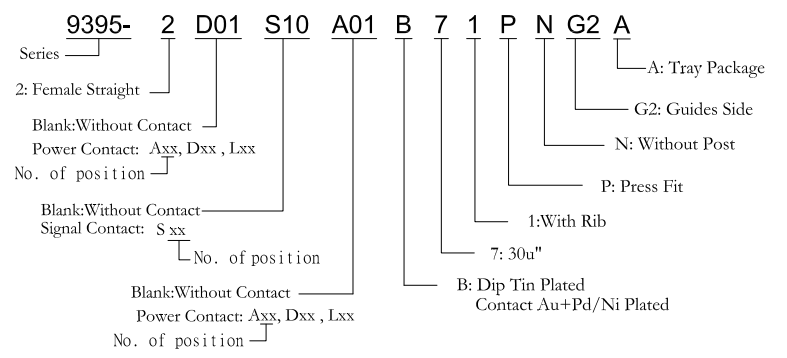
**Material and Plating:**  
**Housing:** LCP, 30% Glass Filled,UL94V-0 , BLACK.  
**Power Contacts:** High Conductivity Copper.  
 30u"Au+Pd/Ni on Contact Area and 80u" Min  
 Matted Tin Plated on Solder Tail over Nickel 50u" Min.  
**Signal Contact:** Phosphor Bronze.  
 30u"Au+Pd/Ni on Contact Area and 80u" Min  
 Matted Tin Plated on Solder Tail over Nickel 50u" Min.

**Electrical Characteristics:**  
**Current Rating:** Signal Pin 2.5 AMP.  
 Power Pin 60 AMP.  
**Dielectric Withstanding Voltage:** Power Pin:DC 1500V For 1 minute.  
 Signal Pin: DC 500V For 1 minute.  
**Insulator Resistance:** 5000MΩ min.  
**Contact Resistance:** Signal Pin 30mΩ max.  
 Power Pin 0.3mΩ max.

**Operating Temperature:** -40°C ~+105°C .

**\*RoHS Compliant**

**Notes :**  
 L: Low Power---PCB Mount 3.0mm Pitch  
 D: DC Power---PCB Mount 5.5mm Pitch  
 A: AC Power---PCB Mount 7.5mm Pitch



Tolerances	Dwg. No.	9395-D0000-018	Title: 9395 Series		 <b>OUPIIN ELECTRONIC(KUNSHAN) CO., LTD.</b> P/N: 9395-2D01S10A01B71PNG2A			
x = ±0.5	Projection		Max P60					
.x = ±0.25	Unit	mm	Scale	1:1	SHEET			
.xx = ±0.15	Drawn By	WP 05/28'20	10mm Low Profile, 60Amp Receptacle, Straight		1/1	Ver. No.	R3	