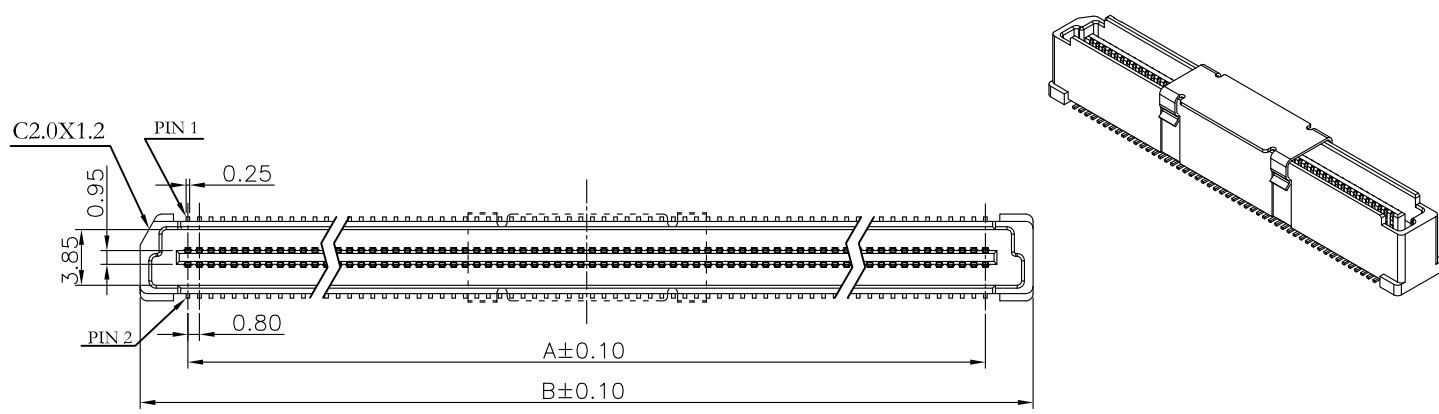
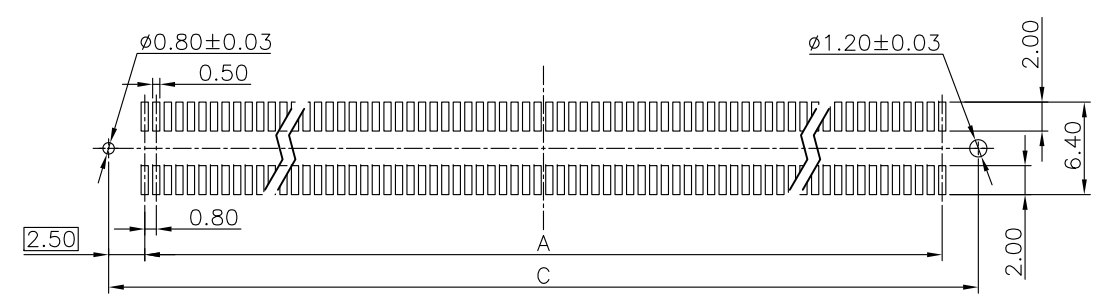
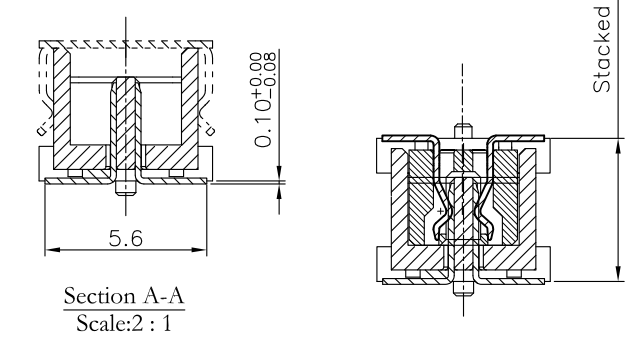
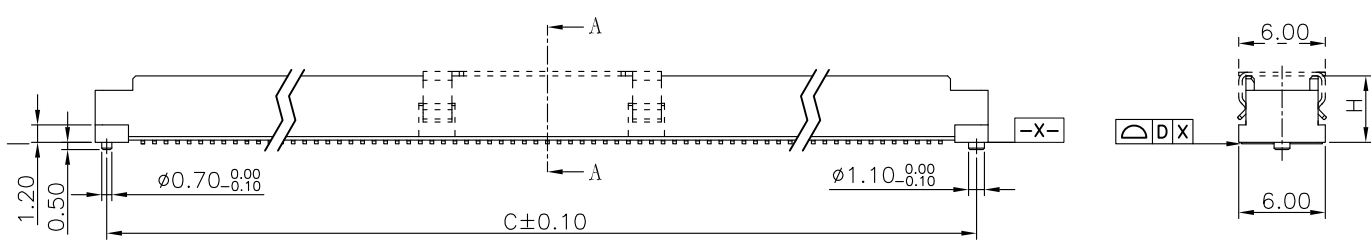


REV.	SPECIFICATION	ECN NO.	APPD.
R12		ECN230826	



**Material and Plating:**  
**Housing:** LCP, UL94V-0, Natural Color.  
**Signal Contacts :** Brass.  
 Gold Planted on contact Area and 80u" min Tin or Gold Flash plated on solder tail over 50u" min Nickel

**Electrical Characteristics:**  
**Current Rating:** 0.5 AMP.  
**Dielectric Withstanding Voltage:** AC 500V For 1 minute.  
**Insulator Resistance:** 500MΩ min. at DC 250V.  
**Contact Resistance:** 30mΩ max. at DC 100mA.  
**Operating Temperature:** -45°C~+125°C.  
**\*RoHS Compliant**



P.C. Board Layout  
(Tolerance:±0.05)

**2381- xx C xx D P x T - M**

Series: 2381-  
 Position: xx  
 C: Selective Gold Plated  
 D: SMD Type  
 P: With Post  
 N: Without Post  
 T: Tape & Reel Package  
 M: Metal Cap  
 Code 1~4

00: G/F  
 10: 10 μ"  
 30: 30 μ"

**Available Position									
Code				Pos.	Dimension				
H1	H2	H3	H4		A	B	C	D	
*			*	60	23.20	29.80	28.20	0.10Max	
*	*			80	31.20	37.80	36.20		
	*		*	100	39.20	45.80	44.20	0.15Max	
*				140	55.20	61.80	60.20		
Code		1	2	3	4				
Height(H)		4.60	5.60	6.60	7.60				
Height(Y)		5.0	9.0	6.0	10.0	7.0	11.0	8.0	12.0

Tolerances	Dwg. No.	2381-D0000-001		Title:	2381 Series Board to Board 0.8mm Male Type	
x = ±0.5	Projection	⊕ ⊖				
.x = ±0.25	Unit	mm	Scale	1:1		
.xx = ±0.15	Drawn By	CCH8/22/23				

**OUPIN**  
**OUPIN ELECTRONIC(KUNSHAN) CO., LTD.**  
**P/N: 2381-xxCxxDPxT-M**

SHEET	1/1	Ver.No.	R12
-------	-----	---------	-----