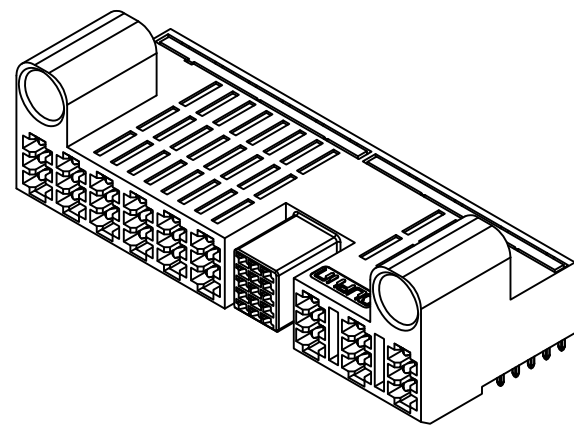
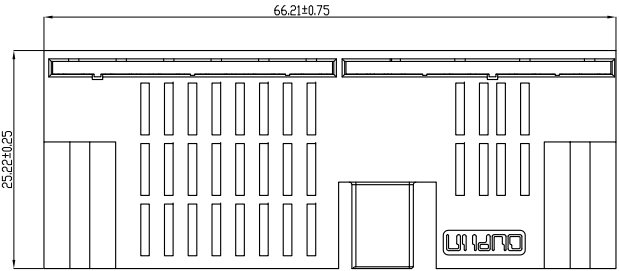


REV.	SPECIFICATION	ECN NO.	APPD.
R2		ECN170307	

A  
B  
C  
D  
E  
F  
G  
H

A  
B  
C  
D  
E  
F  
G  
H

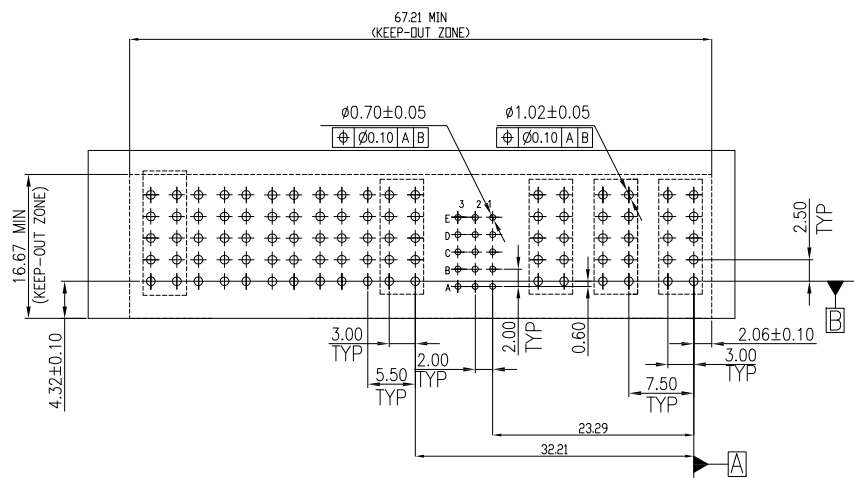
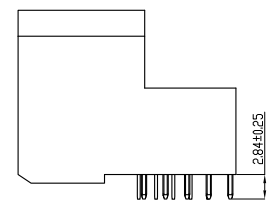
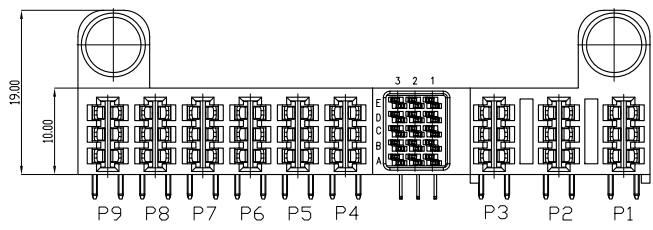


**Material and Plating:**  
**Housing:** LCP, 30% Glass Filled, UL94V-0, BLACK.  
**Power Contacts:** High Conductivity Copper.  
 30u" Au+Pd/Ni on Contact Area and 80u" Min Tin Plated on Solder Tail over nickel 50u" Min.  
**Signal Contact:** Phosphor Bronze.  
 30u" Au+Pd/Ni on Contact Area and 80u" Min Tin Plated on Solder Tail over nickel 50u" Min.

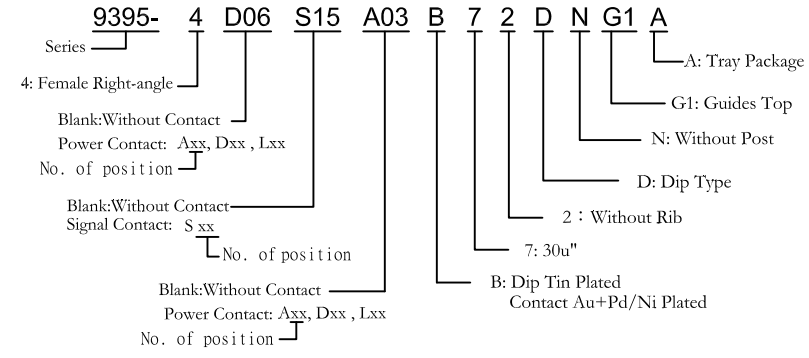
**Electrical Characteristics:**  
**Current Rating:** Signal Pin 2.5 AMP.  
 Power Pin 60 AMP.  
**Dielectric Withstanding Voltage:** DC 1500V For 1 minute.  
**Insulator Resistance:** 5000MΩ min. at DC 500V.  
**Contact Resistance:** Signal Pin 30mΩ max.  
 Power Pin 0.3mΩ max.  
**Operating Temperature:** -40°C ~+105°C.

**\*RoHS Compliant**

**Notes :**  
 L: Low Power---PCB Mount 3.0mm Pitch  
 D: DC Power---PCB Mount 5.5mm Pitch  
 A: AC Power---PCB Mount 7.5mm Pitch



P.C.Board Layout  
(Tolerance:±0.05)



Tolerances	Dwg. No.	9395-D0000-010	
x = ±0.5	Projection		
.x = ±0.25	Unit	mm	Scale 1:1
.xx = ±0.15	Drawn By	WP 03/03'17	

Title: 9395 Series  
 Max P60  
 10mm Low Profile, 60Amp  
 Receptable, Right Angle

<b>OUPIN</b>			
OUPIN ELECTRONIC(KUNSHAN) CO., LTD.			
P/N: 9395-4D06S15A03B72DNG1A			
SHEET	1/1	Ver. No.	R2

1 2 3 4 5 6 7 8 9 10 11 12