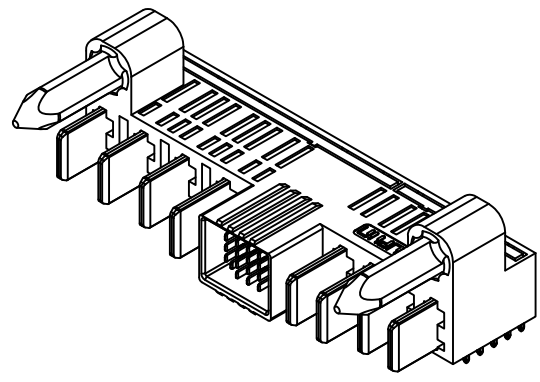
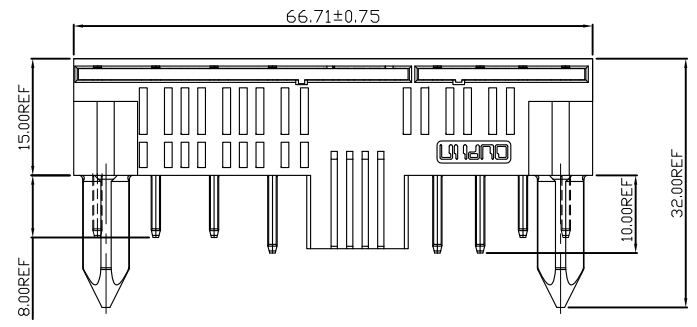


REV.	SPECIFICATION	ECN NO.	APPD.
R1		ECN161216	



Material and Plating:

Housing: LCP, 30% Glass Filled, UL94V-0, BLACK.
 Power Contacts: High Conductivity Copper.
 30u" Au+Pd/Ni on Contact Area and 80u" Min Tin Plated on Solder Tail over nickel 50u" Min.
 Signal Contact: Brass.
 30u" Au+Pd/Ni on Contact Area and 80u" Min Tin Plated on Solder Tail over nickel 50u" Min.

Electrical Characteristics:

Current Rating: Signal Pin 2.5 AMP.
 Power Pin 60 AMP.
 Dielectric Withstanding Voltage: DC 1500V For 1 minute.
 Insulator Resistance: 5000MΩ min. at DC 500V.
 Contact Resistance: Signal Pin 30mΩ max.
 Power Pin 0.3mΩ max.
 Operating Temperature: -40°C ~ +105°C.

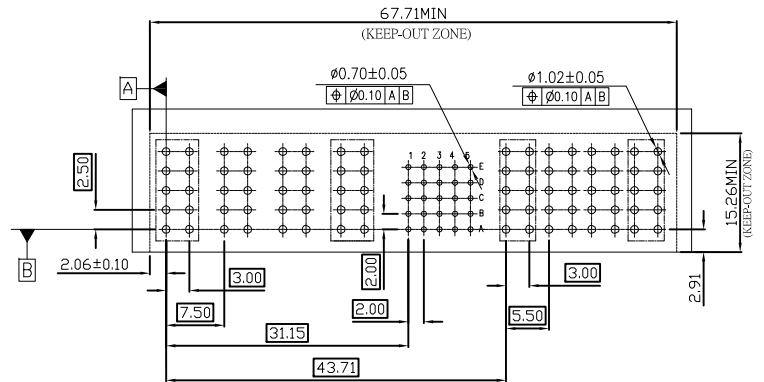
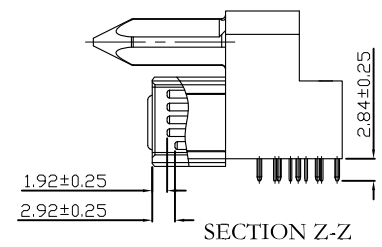
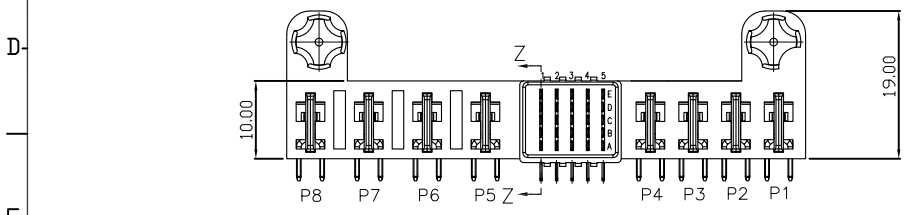
***RoHS Compliant**

Notes 1:

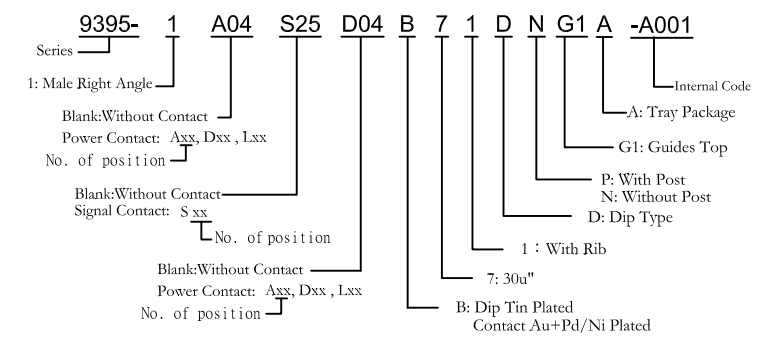
L: Low Power---PCB Mount 3.0mm Pitch
 D: DC Power---PCB Mount 5.5mm Pitch
 A: AC Power---PCB Mount 7.5mm Pitch

Notes 2:

A1: Signal Pin to The Top Distance is 2.92mm.
 Other Signal: Signal Pin to The Top Distance is 1.92mm.



P.C. Board Layout
(Tolerance: ±0.05)



Tolerances	Dwg. No.	9395-D0000-006	Title:		9395 Series Max P60 10mm Low Profile, 60Amp Plug, Right Angle, FMLB		 OUPIN ELECTRONIC(KUNSHAN) CO., LTD. P/N: 9395-1A04S25D04B71DNG1A-A001			
x = ±0.5	Projection		Scale		1:1					
.x = ±0.25	Unit	mm	Scale		1:1		SHEET	1/1	Ver. No.	R1
.xx = ±0.15	Drawn By	WP 11/24'16								