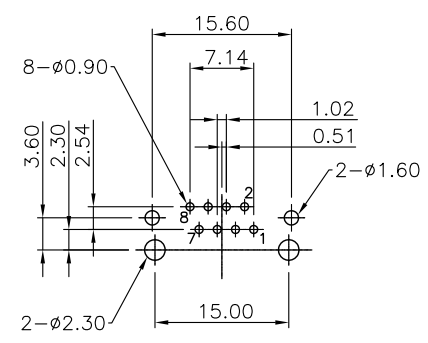
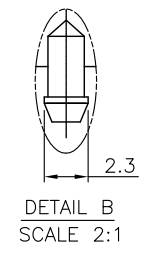
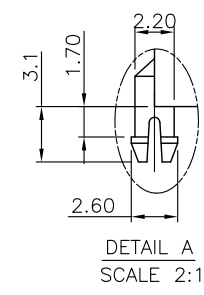
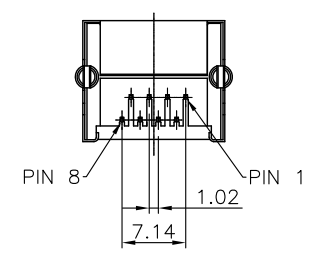
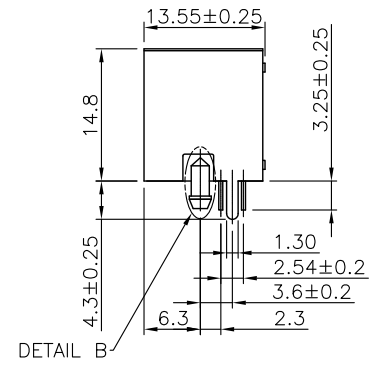
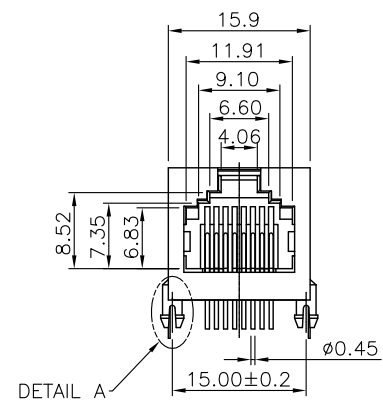


REV.	SPECIFICATION	ECN NO.	APPD.



P.C.Board Layout  
TOLERANCE: ±0.05mm(T=1.6mm)

8949- F1 8 8 -06 S Y A

Series ——— 8949-  
F1:F1 Type ——— F1  
8:8 Position Housing ——— 8  
8:8 Contacts Loaded ——— 8  
06: 06 μ" ——— -06  
15: 15 μ"  
30: 30 μ"  
50: 50 μ"

————— S Shield  
————— Y Grey  
————— A: Tray Package  
————— B: Black

Tolerances	Dwg No.	8949D02112		Title:		<b>OUPIN</b> OUPIN ELECTRONIC(KUNSHAN) CO., LTD.	
.x = ±0.50	Projection	⊕ ⊖		8949 Series Modular Jack			
.xx = ±0.25	Unit	mm	Scale			P/N: 8949-F188-xxSYA	
.xxx = ±0.15	Drawn By	Lucas	06/14'17	SHEET	1/1		

**Material:**  
Housing:PBT,UL94V-0.  
Contacts: Phosphor Bronze, Gold Plated on Contact Area and Gold Flash on Solder Tail over Nickel 50μ".  
Shell: Brass.20μ" Nickel Plated.  
**Electrical Characteristics:**  
Current Rating: 1.5 AMP.  
Insulation Resistance: 1000MΩ min. at DC 500V.  
Contact Resistance: 30mΩ max. at DC 100mA.  
Operating Temperature: -40°C~+85°C.  
**\*RoHS Compliant**