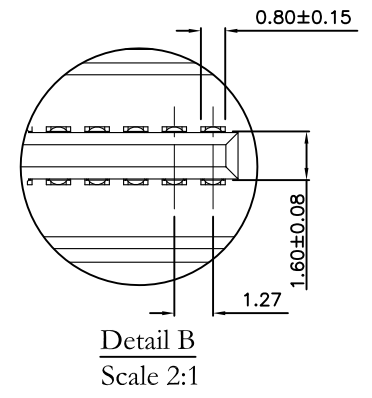
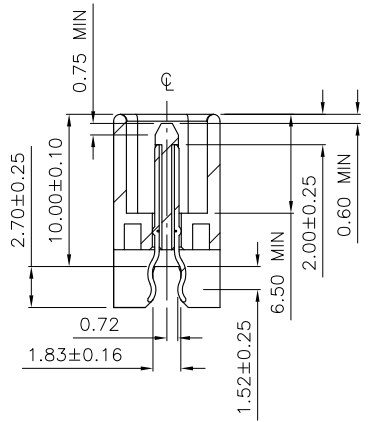
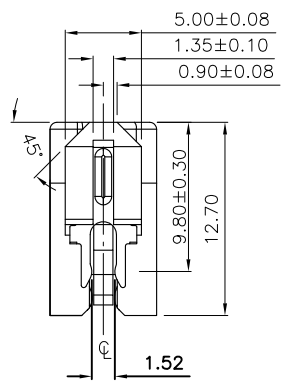
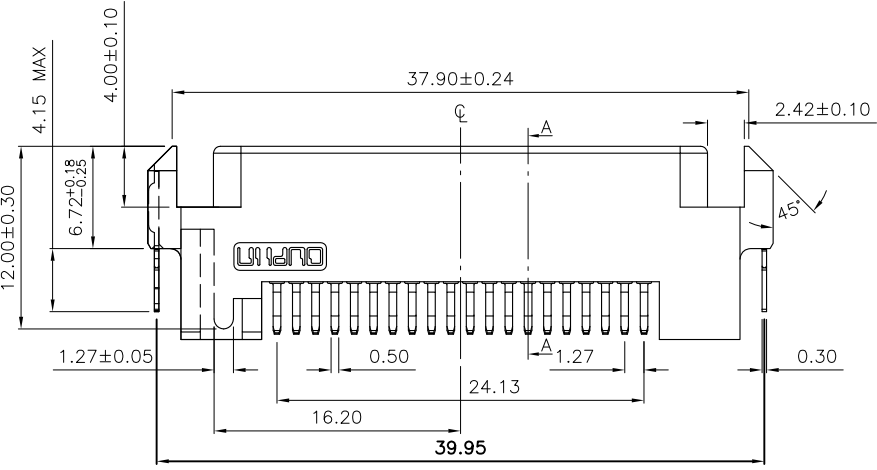
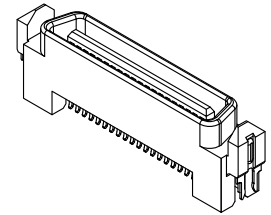
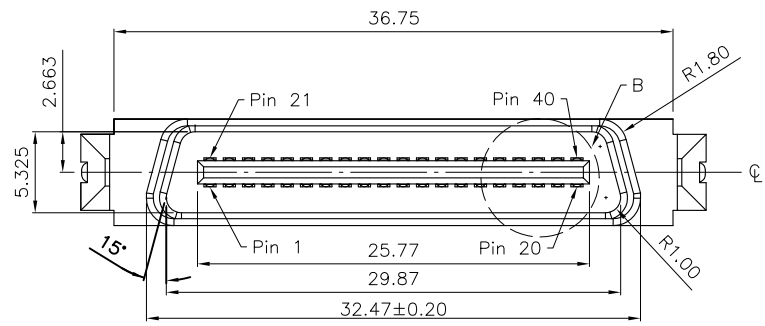


REV.	SPECIFICATION	ECN NO.	APPD.
R1		ECN190535	

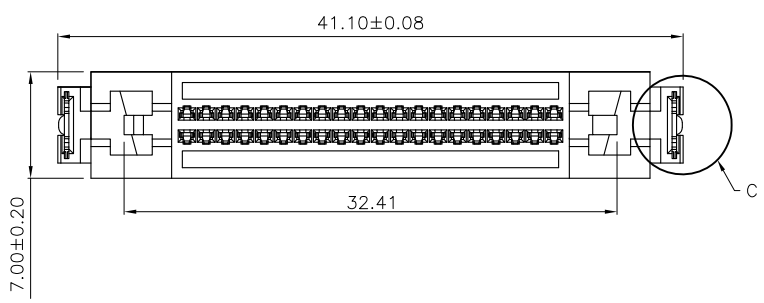
Material and Plating:
Housing: LCP, UL94V-0, Black
Contacts: Phosphor Bronze
30u" Au+Pd/Ni on Contact Area and 80u" Min Tin Plated on Solder Tail over nickel 50u" Min.
Lock: Phosphor Bronze

Electrical Characteristics:
Current Rating: 1.0 AMP.
Dielectric Withstanding Voltage: AC 750V.
Insulation Resistance: 1000MΩ min. at DC 500V.
Contact Resistance: 15mΩ max.
Operating Temperature: -55°C~+105°C.
***RoHS Compliant**

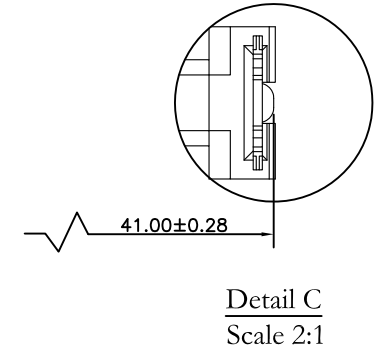


Section A-A


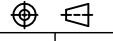
Detail B
Scale 2:1



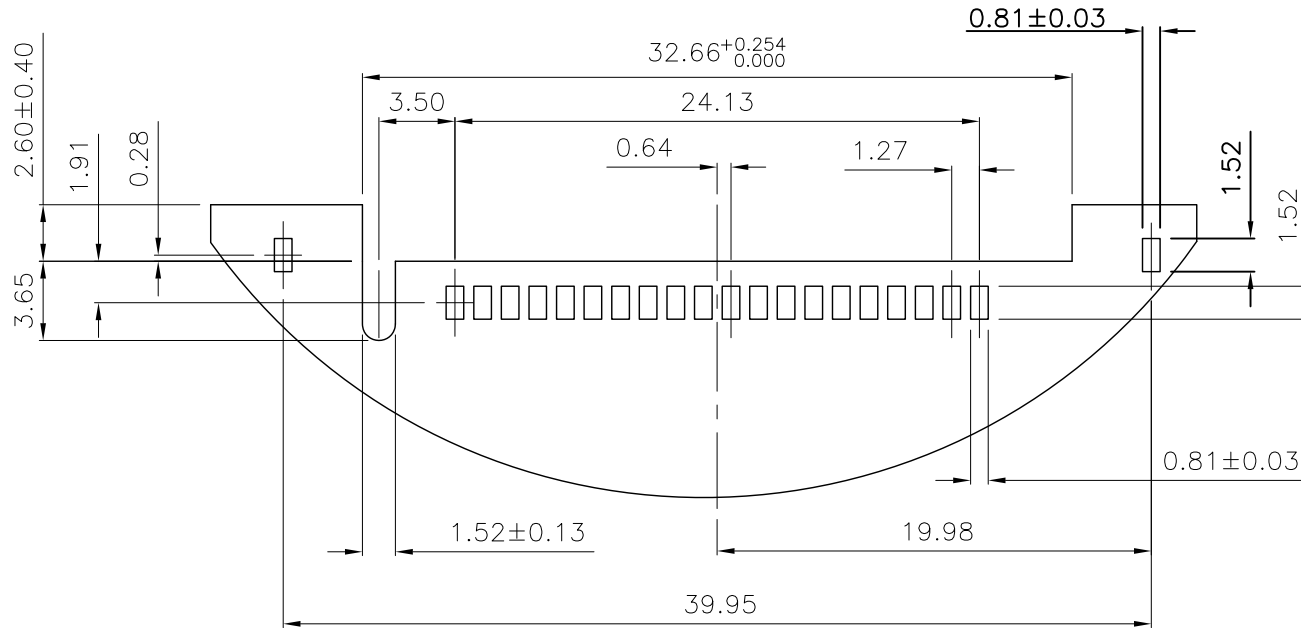
Series: 7229- 3 2 X 20 B 7 K L A
3: Male Straight
Double Row
Position Per Row
B: Contact Au+Pd/Ni, Dip Tin Plated
A: Tray Package
L: With lock
K: Straddle Type
7: 30μ"



Detail C
Scale 2:1

Tolerances	Dwg No.	7229-D0000-001	Title:		 OUPIN ELECTRONIC(KUNSHAN) CO., LTD. P/N: 7229-32X20B7KLA					
x = ±0.50	Projection		7229 Series							
.x = ±0.25	Unit	mm	Scale	1:1	SCSI Male Straddle Type		SHEET	1/2	Ver.No.	R1
.xx = ±0.15	Drawn By	CXP 03/28'19								

REV.	SPECIFICATION	ECN NO.	APPD.
R1		ECN190535	



Recommended PCB Layout

Tolerances	Dwg No.	7229-D0000-001
x = ±0.50	Projection	\oplus \triangleleft
.x = ±0.25	Unit	mm
.xx = ±0.15	Scale	1:1
	Drawn By	CXP 03/28'19

Title:
7229 Series
SCSI Male Straddle Type



OUPIIN ELECTRONIC(KUNSHAN) CO., LTD.

P/N: 7229-32X20B7KLA

SHEET	2/2	Ver.No.	R1
-------	-----	---------	----