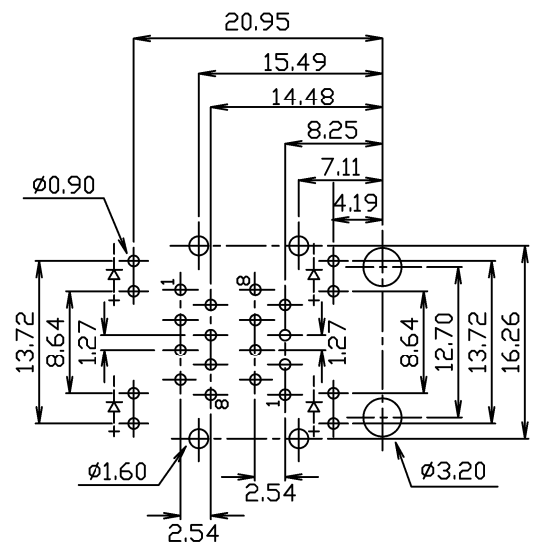
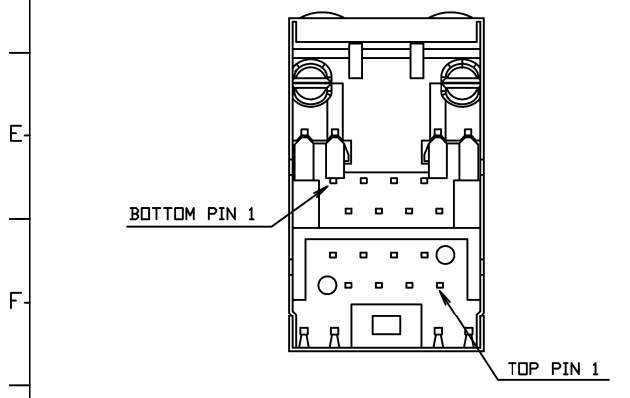
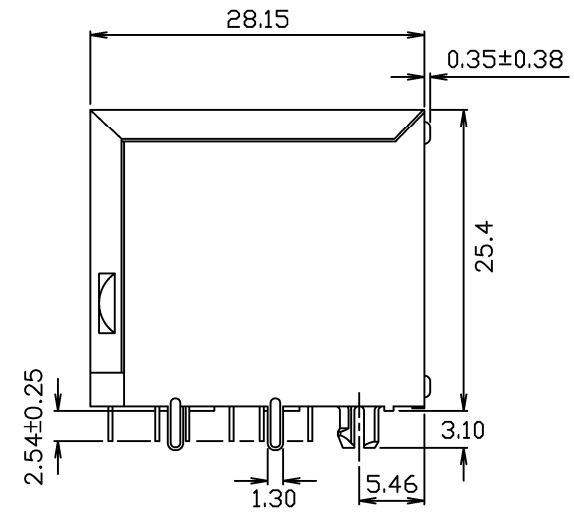
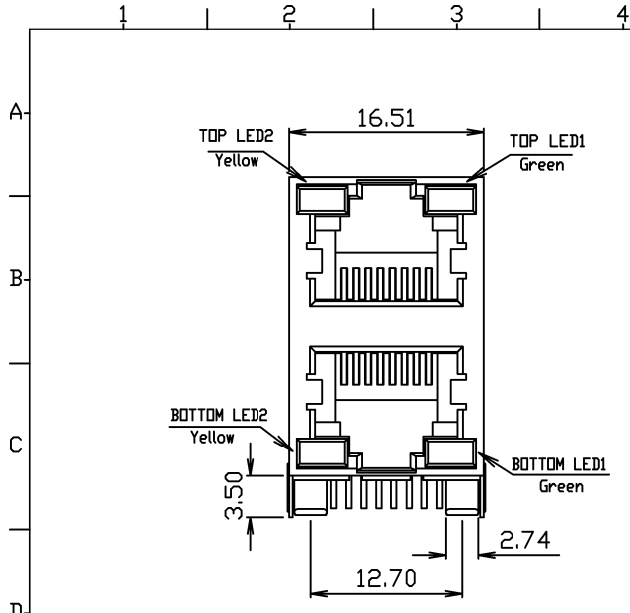


REV.	SPECIFICATION	ECN NO.	APPD.

Material:
Housing(Bottom): PA46, UL94V-0.
(Top): PBT, UL94V-0.
Insert Housing(Bottom): PBT, UL94V-0.
(Top): PBT, UL94V-0.
Contacts: Phosphor Bronze, Gold Plated on Contact Area and Gold Flash on solder tail over 50u" Nickel.
LED: Steel, 80u" Tin Plated.
Shell: Brass, 20u" Nickel Plated.

Electrical Characteristics:
Current Rating: 1.5 AMP.
Insulator Resistance: 500MΩ min. at DC 500V.
Contact Resistance: 30mΩ max. at DC 100mA.
Operating Temperature: -40°C~+85°C.

***RoHS Compliant**


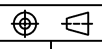


P.C.Board Layout

8949-ID3 8 8 2 -06 S 0 A B A

Series _____
Position _____
8: 8 Contacts loaded _____
2: 2X1= 2 Ports _____
06: 6u" Gold Plated _____

A: Tray Package
B: Black
A: LED1: Green
LED2: Yellow
0: Without Grounding
S: Shield

Tolerances	Dwg. No.	8949D02132	Title:		 DUPIN ELECTRONIC(KUNSHAN) CO., LTD. P/N: 8949-ID3882-06SOABA SHEET 1/1 Ver.No. A5
x = ±0.5	Projection		8949-ID3 Series		
.x = ±0.25	Unit	mm	Scale	1:1	
.xx = ±0.15	Drawn By	Jerry	Date	03/05'20	
			Φ563	Stacked Ganged Jack With LED	