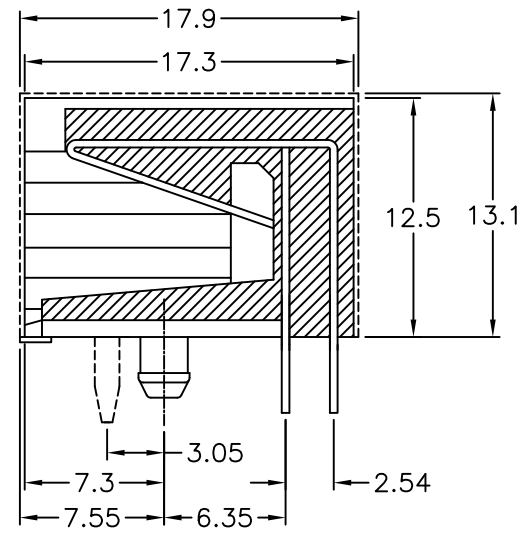
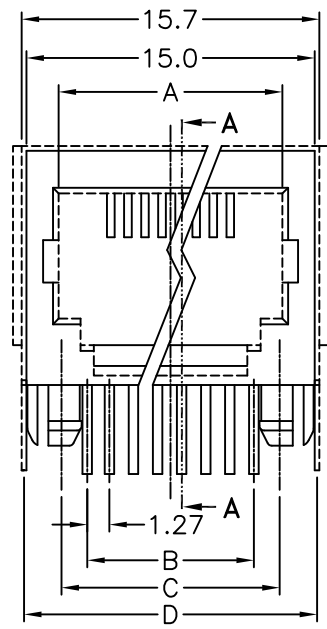


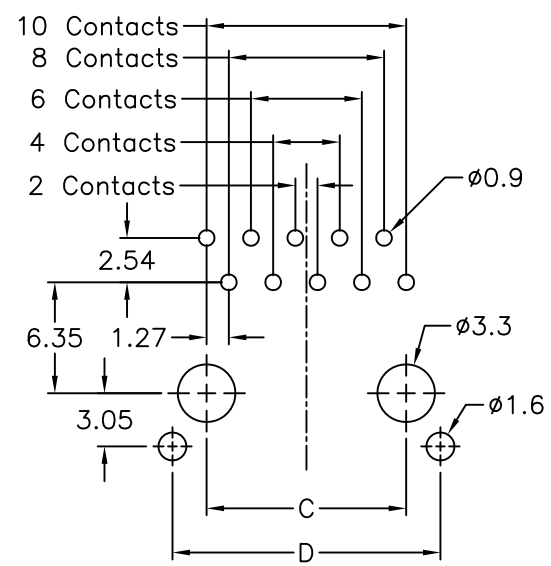
REV.	SPECIFICATION	ECN NO.	APPD.



Section A-A

**Material:**  
Housing: PBT, 15% Glass Filled, UL94V-0, Black.  
Contacts: Phosphor Bronze, Gold plated on contact area and 100~150 $\mu$ "Tin Plated on Solder Tail over 39~60 $\mu$ "Nickel.  
Shield: Brass, Nickel Plated.

**Electrical Characteristics:**  
Current Rating: 1.5 AMP.  
Dielectric Withstanding: Voltage: AC 1000V.  
Insulator Resistance: 500M $\Omega$  min. at DC 500V.  
Contact Resistance: 30m $\Omega$  max. at DC 100mA.  
Operating Temperature: -40 $^{\circ}$ C~+85 $^{\circ}$ C.  
**\*RoHS Compliant**



P.C. Board Layout

<b>8949-B</b>	<b>10</b>	<b>10</b>	<b>-06</b>	<b>S</b>	<b>B</b>	<b>A</b>
Series	10: 10 Position Housing 8: 8 Position Housing 6: 6 Position Housing 4: 4 Position Housing	10: 10 Contacts Loaded 8: 8 Contacts Loaded 6: 6 Contacts Loaded 4: 4 Contacts Loaded 2: 2 Contacts Loaded	06: 6 $\mu$ " Gold Plated 15: 15 $\mu$ " Gold Plated 30: 30 $\mu$ " Gold Plated 50: 50 $\mu$ " Gold Plated	S: Shield (Only for 6, 8, & 10 Position) Blank: Non-Shield	B: Black	A: Tray Package

No. of Position	No. of Contacts	Dimensions			
		A	B	C	D
4	4	7.80	3.81	11.43	
6	2	9.90	1.27	11.43	15.30
6	4	9.90	3.81	11.43	15.30
6	6	9.90	6.35	11.43	15.30
8	8	11.90	8.89	11.43	15.30
10	10	11.90	11.43	11.43	15.30

<b>Tolerances</b>	<b>Dwg. No.</b>	8949D02001	<b>Title:</b>	
x = $\pm 0.50$	<b>Projection</b>		8949-B Series	
.x = $\pm 0.25$	<b>Unit</b>	mm	<b>Scale</b>	1:1
.xx = $\pm 0.15$	<b>Drawn By</b>	Vic Lyu02/19'16	<b>Scale</b>	1:1

8949-B Series  
Modular Jack

**OUPIN**  
**OUPIN ELECTRONIC(KUNSHAN) CO., LTD.**  
P/N: 8949-Bxx-06SBA

<b>SHEET</b>	1/1	<b>Ver.No.</b>	A7
--------------	-----	----------------	----

⑦ 773