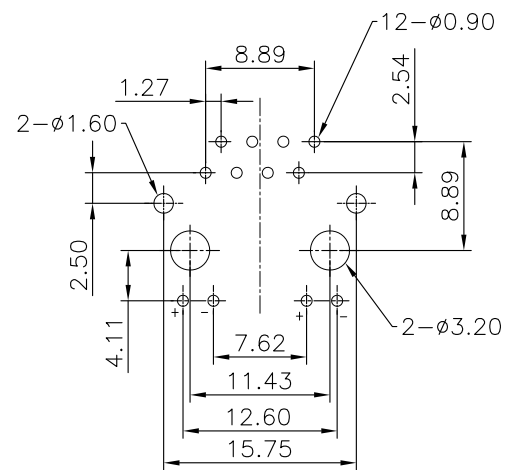
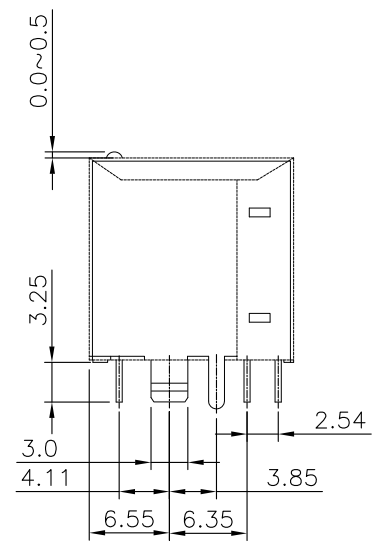
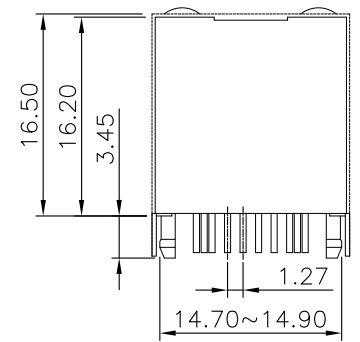
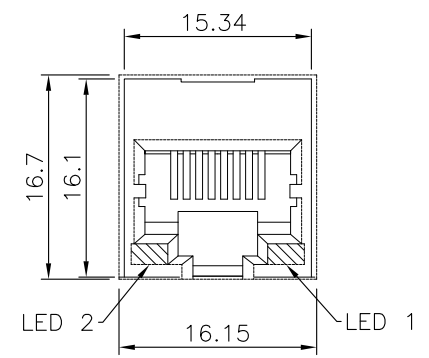


REV.	SPECIFICATION	ECN NO.	APPD.



P.C.B Layout

Material:
Housing: PBT, UL94V-0.
Contacts: Phosphor Bronze, Gold Plated on Contact Area and Gold Flash on solder tail over Nickel 50μ"
Shell: Brass.
Electrical Characteristics:
Current Rating: 1.5 AMP.
Insulation Resistance: 1000MΩ min, at DC 500V.
Contact Resistance: 30mΩ max. at DC 100mA.
Operating Temperature: -40°C~+85°C.
***RoHS Compliant**

8949-H1 8 8 -06 SE0 A B A

Series ———
Positions ———
8: 8 Pin
6: 6 Pin
4: 4 Pin
2: 2 Pin
06: 06μ" Gold Plated
15: 15μ" Gold Plated
30: 30μ" Gold Plated
50: 50μ" Gold Plated

A: Tray Package
B: Black
A: LED1: Green, LED2: Yellow
B: LED1: Green, LED2: Green
C: LED1: Yellow, LED2: Green
D: LED1: Yellow, LED2: Yellow
E: LED1: G+Y, LED2: Green
SE0: SE0 Type
Blank: Non - Shield

Tolerances	Dwg No.	8949D02118	Title:	
.x = ±0.50	Projection		8949-H1 Series	
.xx = ±0.25	Unit	mm	Scale	1:1
.xxx = ±0.15	Drawn By	Lucas 08/11'17	Modular Jack With LED	

①563

OUPIN			
OUPIN ELECTRONIC(KUNSHAN) CO., LTD.			
P/N: 8949-H188-06SE0ABA			
SHEET	1/1	Ver.No.	A4