

REV.	SPECIFICATION	ECN NO.	APPD.

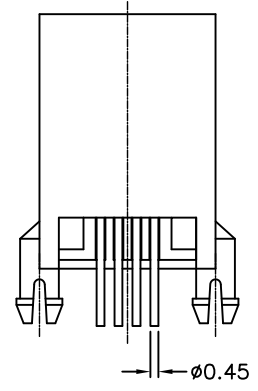
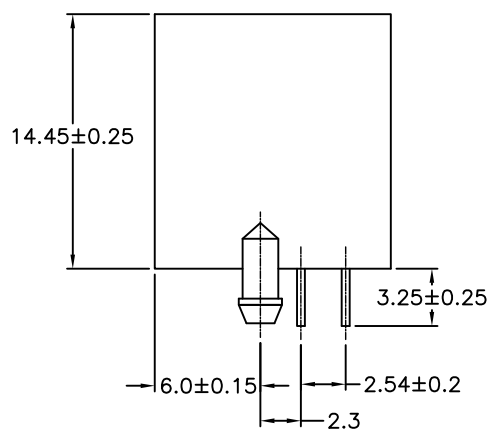
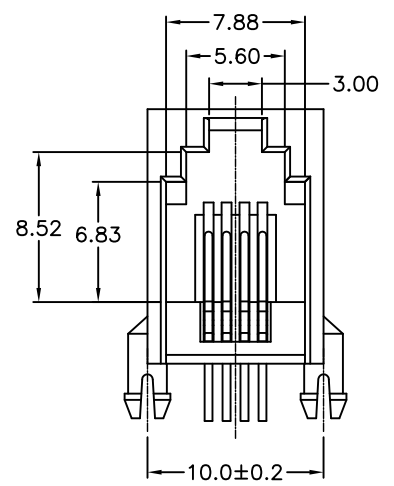
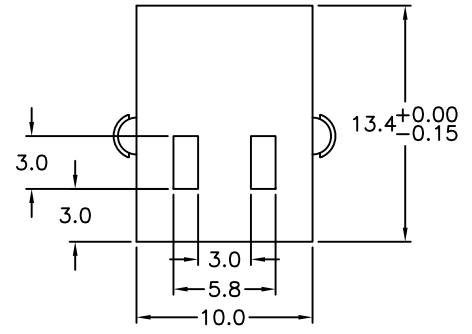
**Material:**

Housing: PBT, Glass Filled, UL94-V0, Black.  
 Contacts: Phosphor Bronze,  
 Gold Plated on Contact area and  
 Solder Tail over 50μ" Nickel.

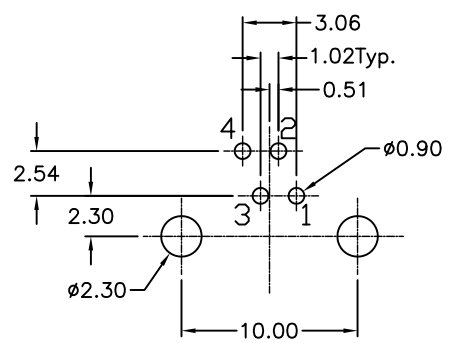
**Electrical Characteristics:**

Current Rating: 1.5 AMP.  
 Dielectric Withstanding Voltage: 1000V for 1 minute.  
 Insulator Resistance: 500MΩ min, at DC 500V.  
 Contact Resistance: 30mΩ max, at DC 100mA.  
 Operating Temperature: -40°C~+85°C.

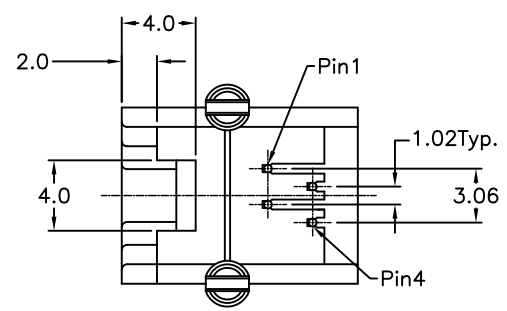
**\*RoHS Compliant**



8949- F1 4 4 -06 B N A -1  
 Series F1 4 4 -06 B N A -1  
 Type 1  
 A: Tray Package  
 N: W/O Flange  
 B: Black  
 06: 06μ" Gold Plated  
 15: 15μ" Gold Plated  
 30: 30μ" Gold Plated  
 50: 50μ" Gold Plated



P.C.Board Layout  
 Tolerance: ±0.05



Tolerances	Dwg. No.	8949D02185	Title:	
x = ±0.50	Projection		8949-F1 Series	
.x = ±0.25	Unit	mm	Scale	1/N T.S.
.xx = ±0.15	Drawn By	Scott 06/22'16	Modular Jack	

①563

<b>OUPIN</b>			
OUPIN ELECTRONIC(KUNSHAN) CO., LTD.			
P/N: 8949-F144-06BNA-1			
SHEET	1/1	Ver.No.	A1