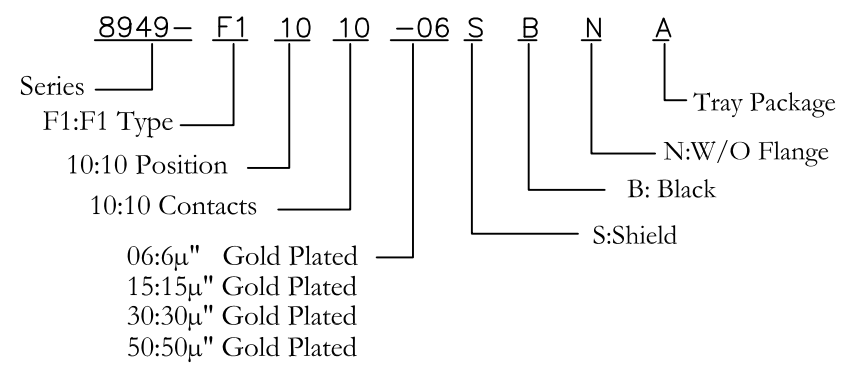
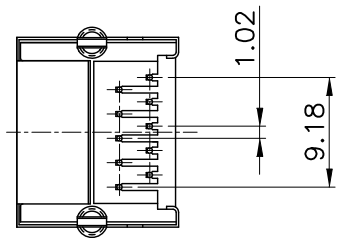
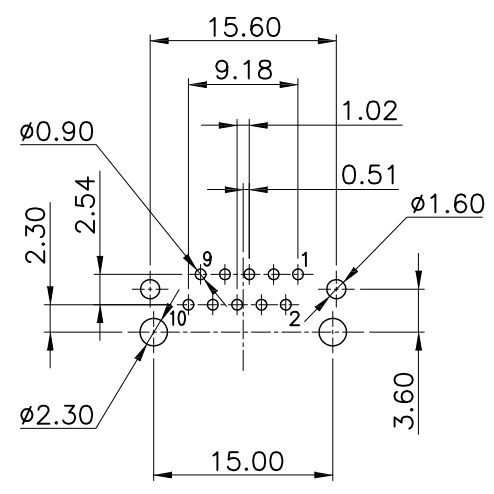
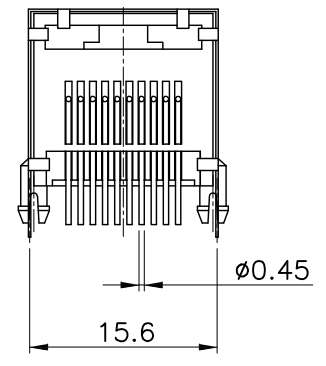
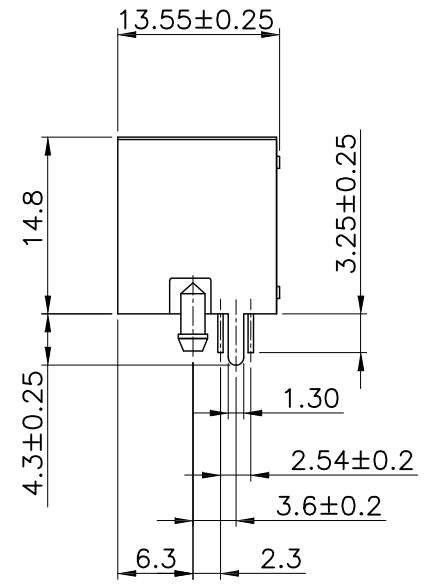
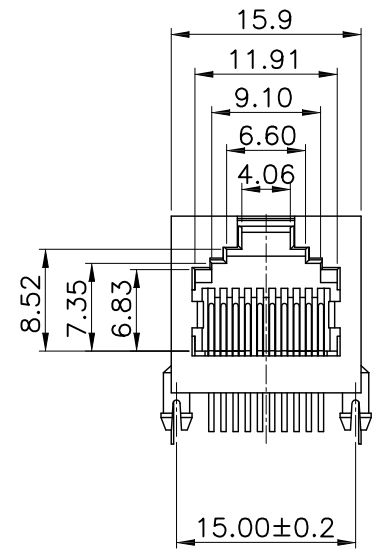


REV.	SPECIFICATION	ECN NO.	APPD.

**Material:**  
**Housing:** PBT, Glass Filled,UL94V-0.  
**Contacts:** Phosphor Bronze, Gold Plated on Contact Area and Solder Tail over Nickel 50μ" Min.  
**Shell:** Brass, 20μ" Min Nickel Plated.  
**Electrical Characteristics:**  
**Current Rating:** 1.5 AMP.  
**Dielectric Withstanding Voltage:** 1000V for 1 minute.  
**Insulation Resistance:** 500MΩ min. at DC 500V.  
**Contact Resistance:** 30mΩ max. at DC 100mA.  
**Operating Temperature:** -40°C~+85°C.  
**\*RoHS Compliant**



P.C.Board Layout

Tolerances	Dwg No.	8949D02186	Title:	
x = ±0.50	Projection		8949-F1 Series	
.x = ±0.25	Unit	mm	Scale	1:1
.xx = ±0.15	Drawn By	jia-chi 12/01'17	Modular Jack	

①563

OUPIIN ELECTRONIC(KUNSHAN) CO., LTD.			
P/N: 8949-F11010-06SBNA			
SHEET	1/1	Ver.No.	A2