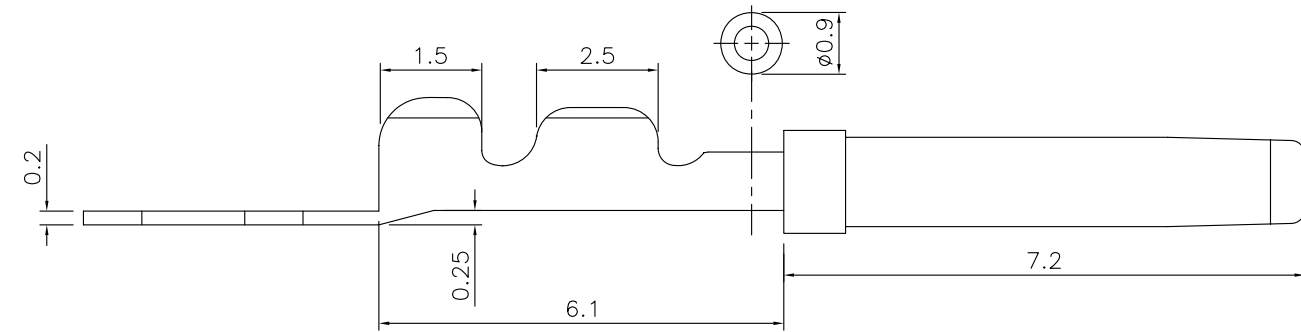
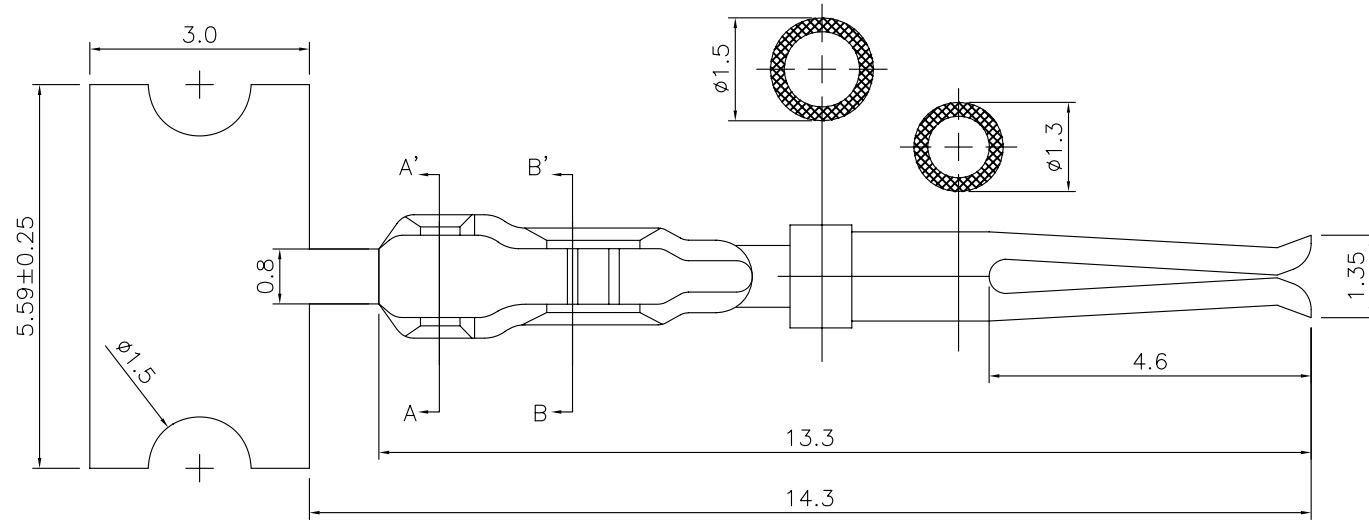
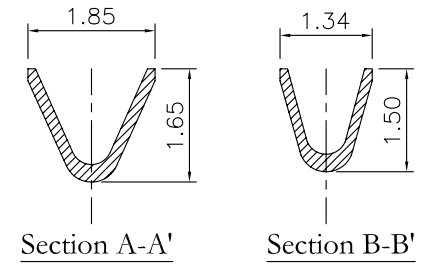


REV.	SPECIFICATION	ECN NO.	APPD.
A3			



Material:
Contacts: Copper Alloy.
Plating: Contact Pin Gold Flash, over Nickel Plated.
Recommend Wire: 26AWG to 30AWG.
***RoHS Compliant**



7918- PIN- F- 10K
 Series 10K Pins Per Reel F:Female

Tolerances	Dwg. No.	7918D02003		Title:		OUPIIN OUPIIN ELECTRONIC(KUNSHAN) CO., LTD.		
x = ±0.5	Projection	⊕ ↗		7918 Series Female-Pin				
.x = ±0.25	Unit	mm	Scale			1:1	P/N:	7918-PIN-F-10K
.xx = ±0.15	Drawn By	ZJJ 03/14'12		① 734	SHEET	1/1	Ver.No.	A3