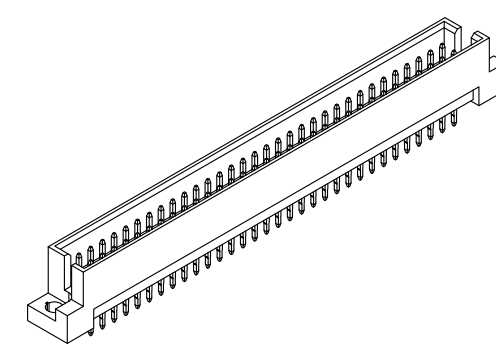
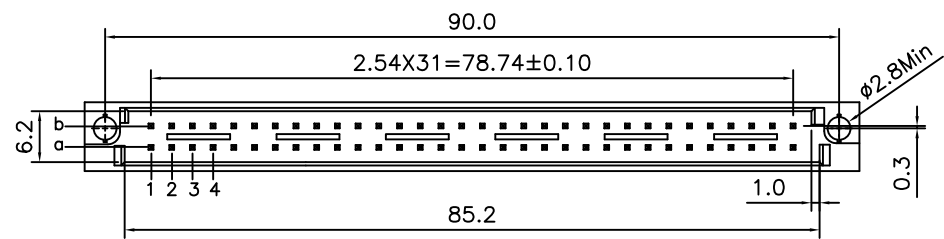


REV.	SPECIFICATION	ECN NO.	APPD.
R4		ECN210406	



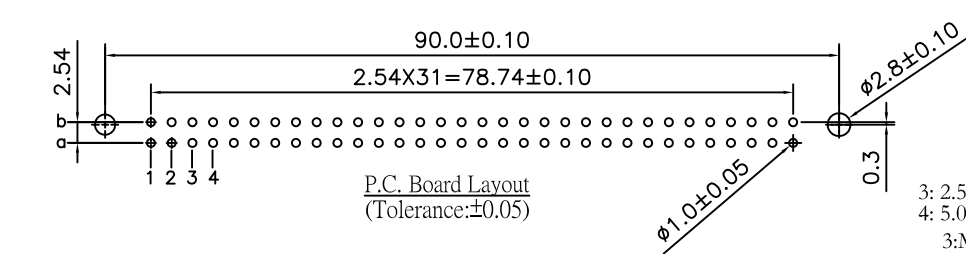
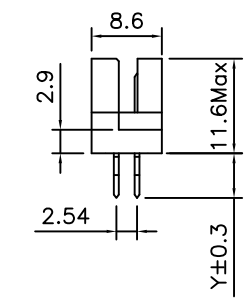
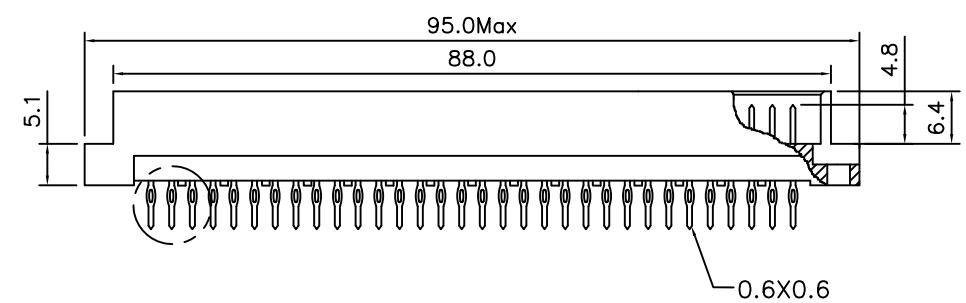
Material and Plating:

Housing: PBT, UL94V-0, Beige
 Contacts: Brass
 Gold Plated on Contact Area and 80u" Min Tin or Gold Flash Plated on Solder Tail over 50u" Min Nickel.

Electrical Characteristics:

Current Rating: 2 AMP.
 Dielectric Withstanding Voltage: AC 1000V For 1 minute.
 Insulator Resistance: 1000MΩ min. at DC 500V.
 Contact Resistance: 20mΩ max. at DC 100mA.
 Operating Temperature: -55°C~+125°C.

***RoHS Compliant**



- Series: 9001- 3 3 xx x C xx P A
- 3: 2.54mm
- 4: 5.08mm
- 3: Male
- Position: 1: Dip Length, 2: Dip Length, W1: Dip Length, W2: Dip Length
- A: Tray Package
- P: Press Fit
- 00: G/F
- 10: 10u"
- 15: 15u"
- 30: 30u"
- C: Dip Tin Plated
- xx: Contact Gold Plated
- G: Gold Plated

Y length	1	2	W1	W2
	4.6	6.3	13	17

Pitch	Position	Rows with Contacts	Contact Arrange	P/N
2.54mm	64	a b		9001-3364xCxxPA
	32	a -		9001-3332xCxxPA
5.08mm	32	a b		9001-4332xCxxPA
	16	a -		9001-4316xCxxPA

Tolerances	Dwg. No.	9001D33002		Title:	
x = ±0.5	Projection			9001 Series DIN41612 Q Type Male	
.x = ±0.25	Unit	mm	Scale		1:1
.xx = ±0.15	Drawn By	ZY	04/14'21		

OUPIN
 OUPIN ELECTRONIC(KUNSHAN) CO., LTD.
 P/N: 9001-3(4)3xxx CxxPA

SHEET	1/1	Ver. No.	R4
-------	-----	----------	----