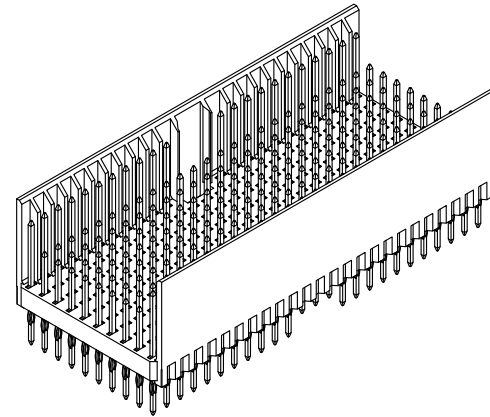
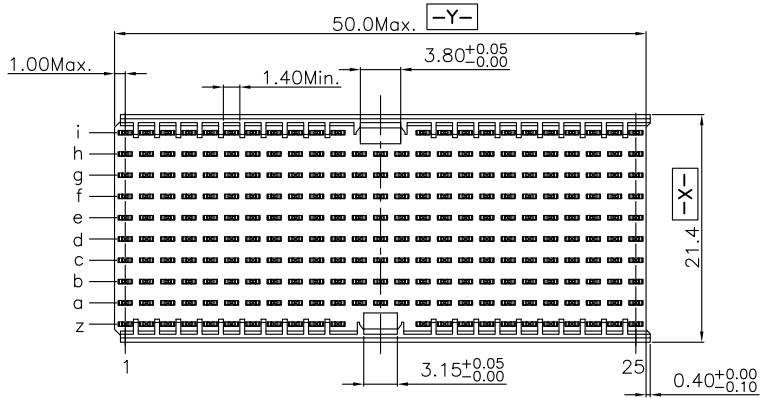


REV.	SPECIFICATION	ECN NO.	APPD.
R7		ECN140649	



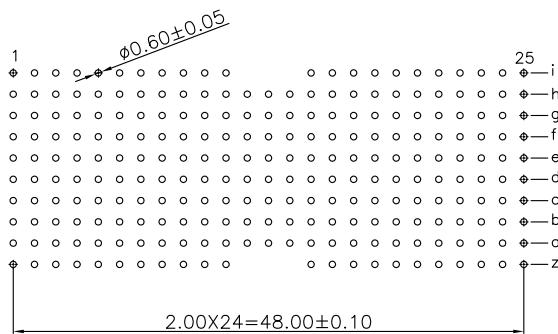
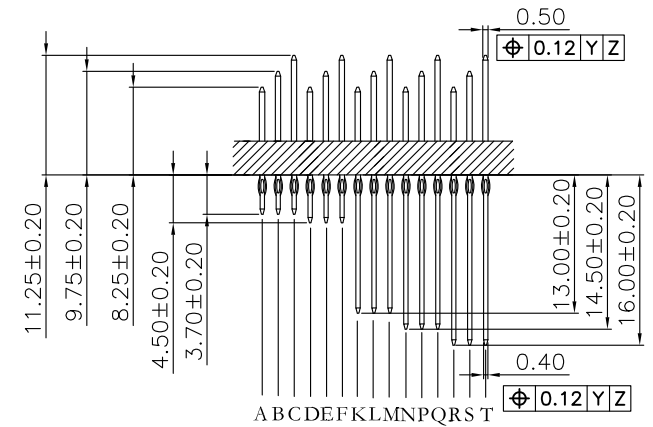
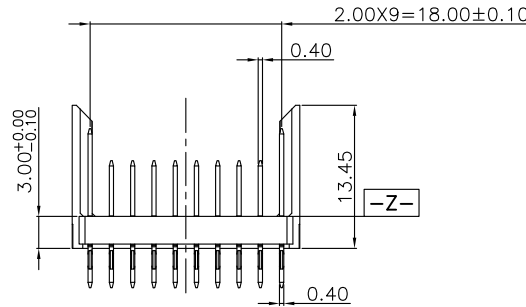
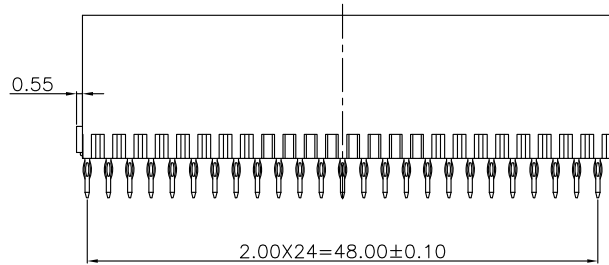
Material:

Housing: Thermoplastic Polyester Glass Filled UL94V-0.
Contacts: Copper Alloy.

Electrical Characteristics:

Current Rating: 1 AMP.
Dielectric Withstanding Voltage: AC 750V For 1 minute.
Insulator Resistance: 10000MΩ min.at DC 500V.
Contact Resistance: 20mΩ max.at DC 100mA.
Operating Temperature: -55°C ~ +125°C.

***RoHS Compliant**



P.C. Board Layout
(Top View)

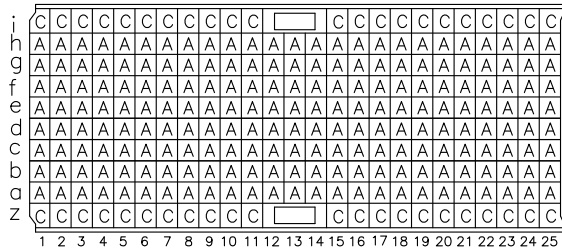
9111- 10 1 DE 244 x x Cxx U
 Series: 9111- 10 1 DE 244 x x Cxx U
 10Row: 10
 1: Male
 DE: Type DE
 Housing Type: U: Tube Package
 Signal Pin(a~h Row): x: A~T Contact
 Shield Pin(i,z Row): x:A~T Contact
 Blank: Without Shield Pin
 Cxx: Dip Tin Contact Gold
 10: 10u"
 30: 30u"
 CB30: Dip Tin Contact Au+Pd/Ni
 30: 30u"

Tolerances	Dwg. No.	9111-D0000-003		Title:
x = ±0.50	Projection	⊕ ◀		9111 Series 2.00 Hard Metric Connectors Male Type DE-25
.x = ±0.25	Unit mm	Scale	1:1	
.xx = ±0.15	Drawn By	WP 06/27'14		

OUPIN			
OUPIN ELECTRONIC(KUNSHAN) CO., LTD.			
P/N: 9111-101DE244xCxxU			
SHEET	1/2	Ver.No.	R7

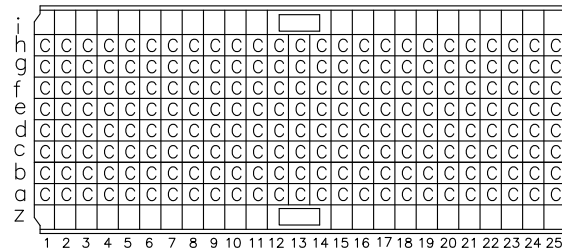
REV.	SPECIFICATION	ECN NO.	APPD.
R7		ECN140649	

CONTACT LAYOUT



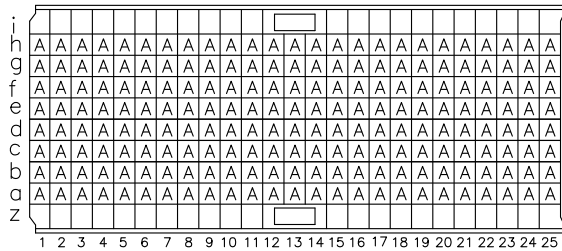
9111-101DE244ACxxU

CONTACT LAYOUT



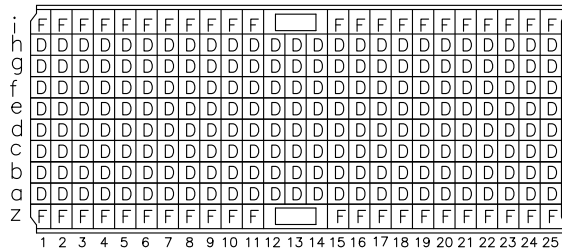
9111-101DE244CCBxxU

CONTACT LAYOUT



9111-101DE244ACxxU

CONTACT LAYOUT



9111-101DE244DFCB30U

Tolerances	Dwg. No.	9111-D0000-003	
x = ±0.50	Projection		
.x = ±0.25	Unit	mm	Scale 1:1
.xx = ±0.15	Drawn By	WP 06/27'14	

Title: 9111 Series
2.00 Hard Metric
Connectors Male
Type DE-25

OUPIIN ELECTRONIC(KUNSHAN) CO., LTD.			
P/N: 9111-101DE244xxCxxU			
SHEET	2/2	Ver.No.	R7