

REV.	SPECIFICATION	ECN NO.	APPD.
R3		ECN180153	

**Material:**

Housing: Thermoplastic Polyester Glass Filled UL94V-0.

Contacts: Copper Alloy.

**Electrical Characteristics:**

Current Rating: 2 AMP.

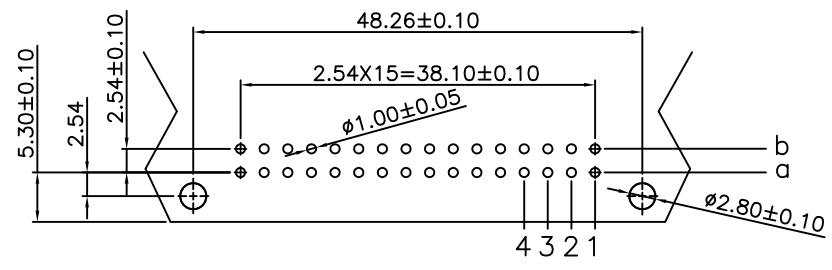
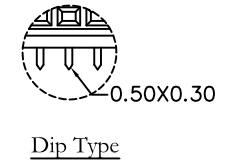
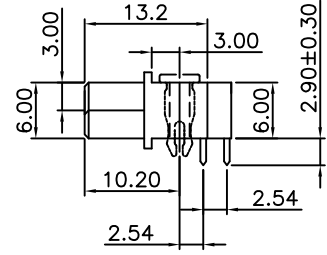
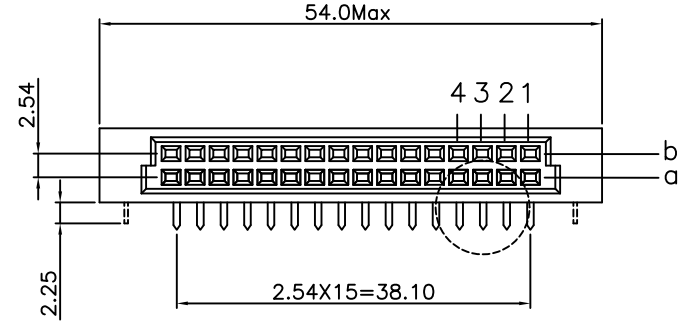
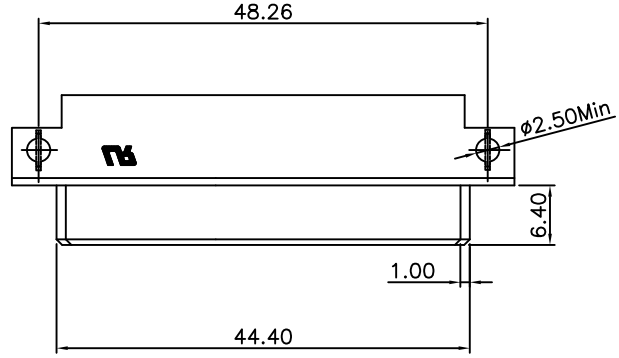
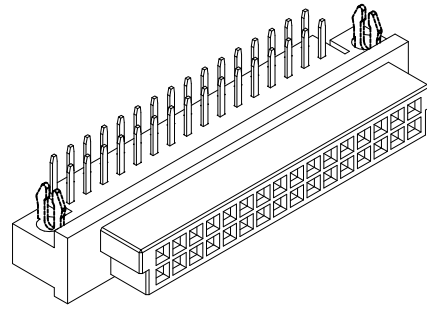
Dielectric Withstanding Voltage: AC 1000V For 1 minute.

Insulator Resistance: 1000MΩ min. at DC 500V.

Contact Resistance: 20mΩ max. at DC 100mA.

Operating Temperature: -55°C ~ +125°C .

**\*RoHS Compliant**



P.C. Board Layout

9001-A 3 8 xx 1 C xx L1 A  
 Series — 3: 2.54mm — 8: Female — Position — 1: Dip Length — C: Dip Tin — Contact Gold Plated — G: Gold Plated  
 A: Tray Package  
 Blank: W/O Lock  
 L1: With Lock  
 00: G/F  
 10: 10u"  
 15: 15u"  
 30: 30u"

Pitch	Position	Rows with Contacts	Contact Arrange
2.54mm	32	a b	4 3 2 1
	16	a -	4 3 2 1

Tolerances	Dwg. No.	9001D38005		Title:	
x = ±0.5	Projection			9001 Series	
.x = ±0.25	Unit mm	Scale	1:1	DIN41612 Half	
.xx = ±0.15	Drawn By	MXM 01/31'18		Q Type Female	

9001 Series  
 DIN41612 Half  
 Q Type Female

**OUPIN**  
 OUPIN ELECTRONIC(KUNSHAN) CO., LTD.  
 P/N: 9001-A38xx1CxxL1A  
 SHEET 1/1 Ver.No. R3