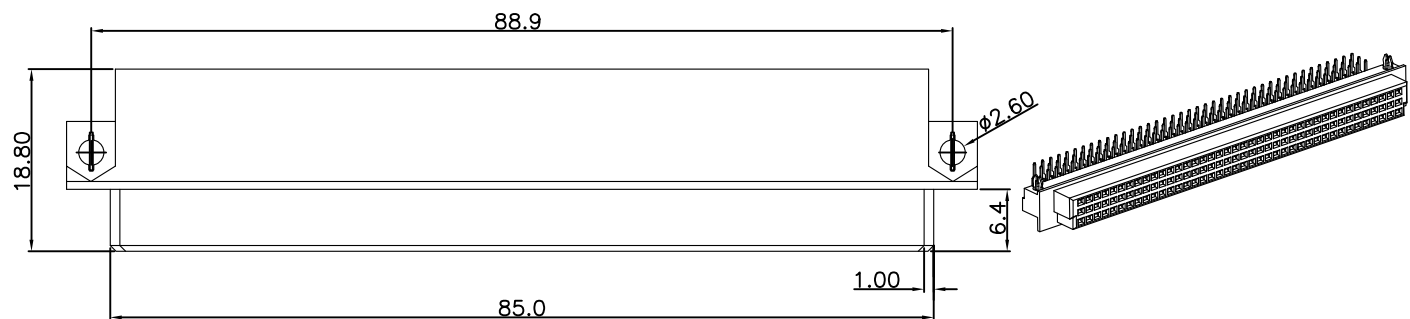


|      |               |           |       |
|------|---------------|-----------|-------|
| REV. | SPECIFICATION | ECN NO.   | APPD. |
| R3   |               | ECN191115 |       |



**Material:**

Housing: PBT ,UL94V-0 ,Beige .

Contacts: Phosphor Bronze.

Lock: Phosphor Bronze.

Gold Plated on Contact Area and 80u" Min Tin or Gold  
Flash Plated on solder tail over 50u" Min Nickel.

**Electrical Characteristics:**

Current Rating: 2 AMP.

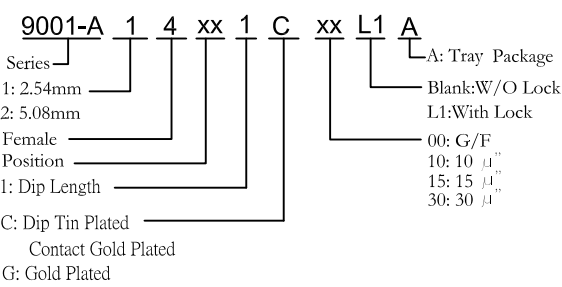
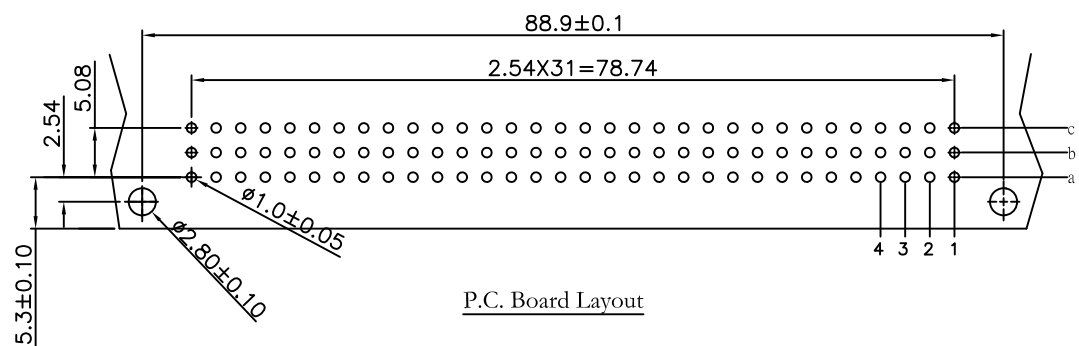
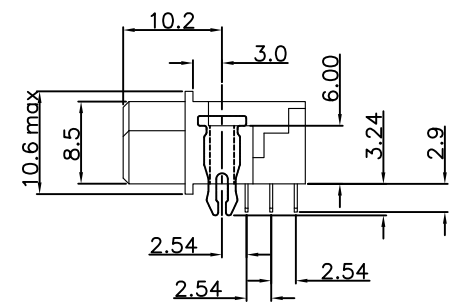
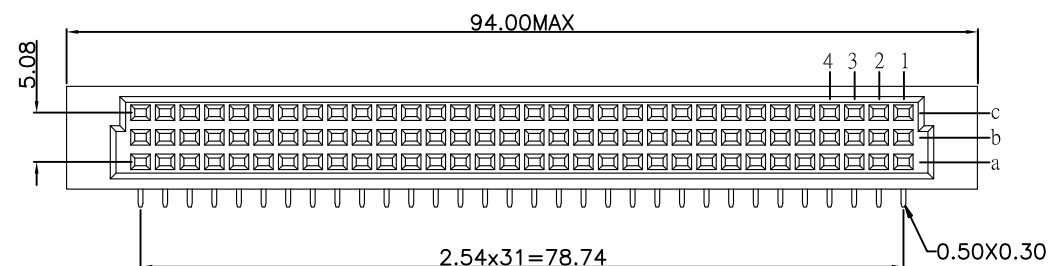
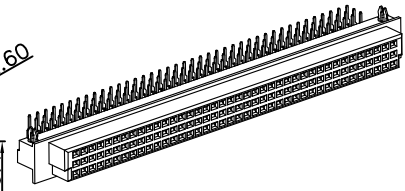
Dielectric Withstanding Voltage: AC 1000V For 1 minute.

Insulator Resistance: 1000MΩ min. at DC 500V.

Contact Resistance: 20mΩ max. at DC 100mA.

Operating Temperature: -55°C~+125°C .

**\*RoHS Compliant**



| Pitch  | Position | Rows with Contacts | Contact Arrange |
|--------|----------|--------------------|-----------------|
| 2.54mm | 96       | a b c              |                 |
|        | 64       | a - c              |                 |
|        | 32       | a - -              |                 |
| 5.08mm | 48       | a b c              |                 |
|        | 32       | a - c              |                 |
|        | 16       | a - -              |                 |

|             |            |            |          |                                          |  |     |
|-------------|------------|------------|----------|------------------------------------------|--|-----|
| Tolerances  | Dwg. No.   | 9001D14016 |          | Title:                                   |  |     |
| x = ±0.5    | Projection |            |          | 9001-A Series<br>DIN 41612 R Female Type |  |     |
| .x = ±0.25  | Unit       | mm         | Scale    |                                          |  | 1:1 |
| .xx = ±0.15 | Drawn By   | WQ         | 11/22'19 |                                          |  |     |

|                                     |     |                   |    |
|-------------------------------------|-----|-------------------|----|
| <b>OUPIN</b>                        |     |                   |    |
| OUPIN ELECTRONIC(KUNSHAN) CO., LTD. |     |                   |    |
| P/N:                                |     | 9001-A14xx1CxxL1A |    |
| SHEET                               | 1/1 | Ver. No.          | R3 |