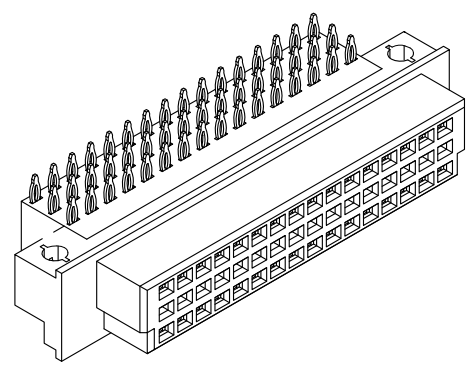
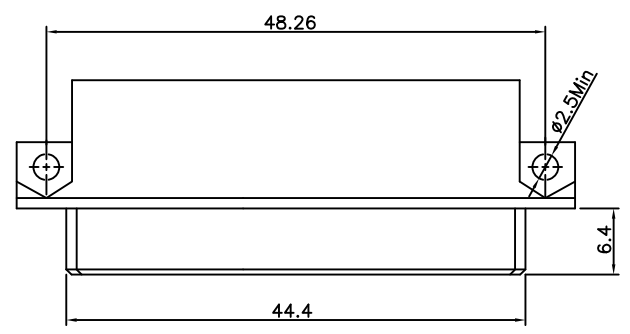


REV.	SPECIFICATION	ECN NO.	APPD.
R2		ECN190335	



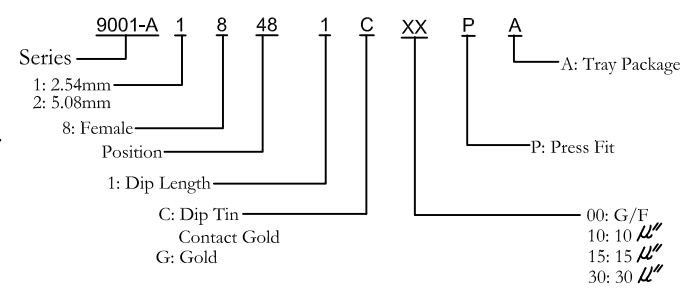
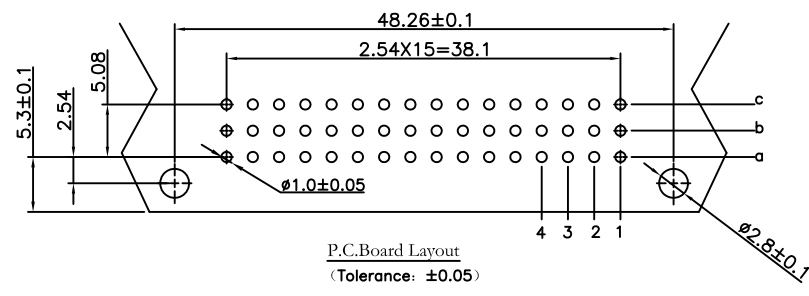
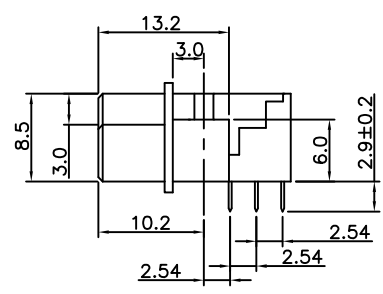
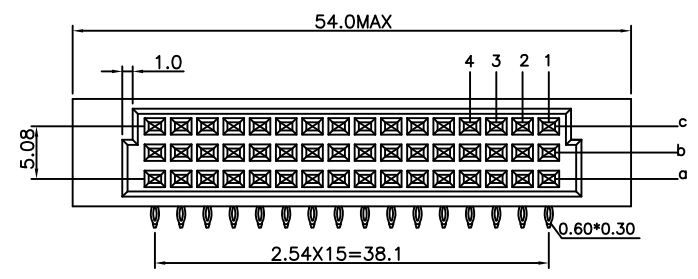
Material and plating:

Housing: PBT UL94V-0, Beige
 Contacts: Copper Alloy
 Gold Plated on Contact Area and 80 μ" min Tin or Gold
 Flash Plated on Press Fit over 50 μ" min Nickel.

Electrical Characteristics:

Current Rating: 2 AMP.
 Dielectric Withstanding Voltage: AC 1000V For 1 minute.
 Insulator Resistance: 1000MΩmin. at DC 500V.
 Contact Resistance: 20mΩmax. at DC 100mA.
 Operating Temperature: -55°C ~ +125°C.

***RoHS Compliant**



Pitch	Position	Rows with Contacts	Contact Arrange
2.54mm	48	a b c	
	32	a - c	
	16	a - -	
5.08mm	24	a b c	
	16	a - c	
	8	a - -	

Tolerances	Dwg. No.	9001D18004
x = ±0.5	Projection	
.x = ±0.25	Unit	mm
.xx = ±0.15	Scale	1:1
	Drawn By	CCH3/15'19

Title: 9001-A Series
 DIN41612
 Half R Type Female

OUPIIN ELECTRONIC(KUNSHAN) CO., LTD.			
P/N: 9001-A18xx1CxxPA			
SHEET	1/1	Ver.No.	R2