

REV.	SPECIFICATION	ECN NO.	APPD.
R4		ECN170736	

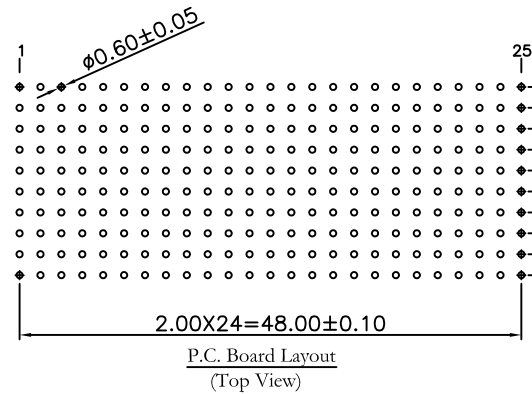
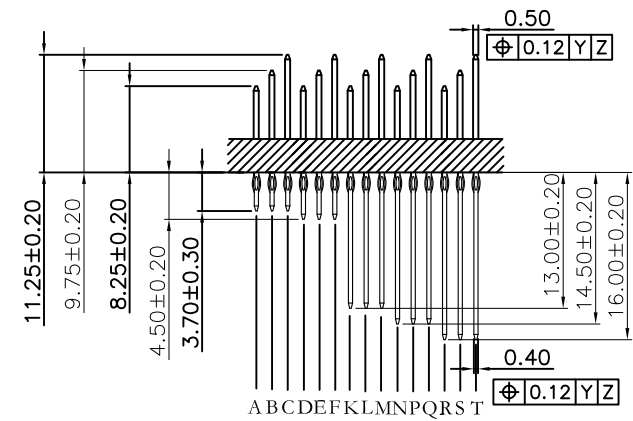
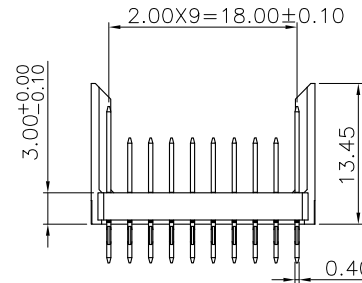
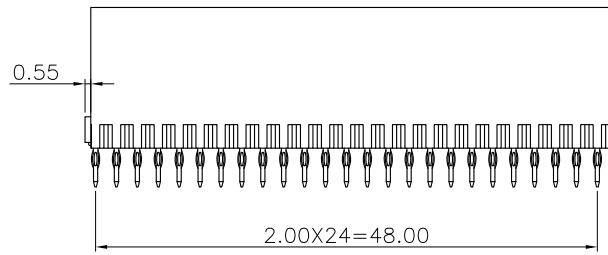
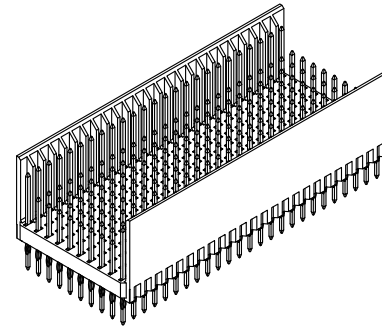
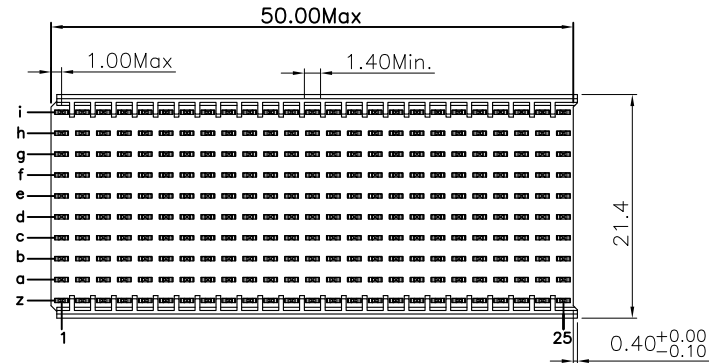
**Material:**

Housing: Thermoplastic Polyester Glass Filled UL94V-0.  
 Contacts: Copper Alloy.

**Electrical Characteristics:**

Current Rating: 1 AMP.  
 Dielectric Withstanding Voltage: AC 750V For 1 minute.  
 Insulator Resistance: 10000MΩ min. at DC 500V.  
 Contact Resistance: 20mΩ max. at DC 100mA.  
 Operating Temperature: -55°C~+125°C .

**\*RoHS Compliant**

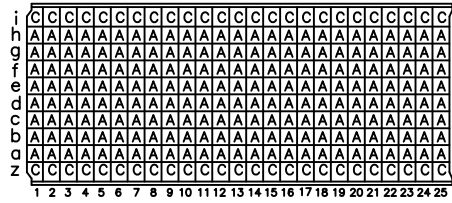


Series 9111- 10 1 E 250 A C C xx U  
 10Row  
 1: Male  
 E: Type E  
 Housing Type  
 Signal Pin(a~h Row)  
 A: A Contact  
 C: Dip Tin  
 Contact Gold  
 G: Gold  
 Shield Pin(i,z Row)  
 C:C Contact  
 Blank:Without  
 Shield Pin  
 U: Tube Package  
 10: 10 u"  
 30: 30 u"

<b>Tolerances</b>	<b>Drawn No.</b>	9111-D0000-002	<b>Title:</b>	9111 Series Hard Metric Connector Male Type E	 <b>OUPIN ELECTRONIC(KUNSHAN) CO., LTD.</b> P/N: 9111-101E250ACCxxU
x = ±0.50	<b>Projection</b>				
.x = ±0.25	<b>Unit</b>	mm	<b>Scale</b>	1:1	<b>SHEET</b>
.xx = ±0.15	<b>Drawn By</b>	MXM07/20'17			1/2
					<b>Ver.No.</b>
					R4

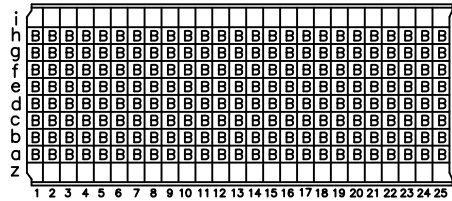
REV.	SPECIFICATION	ECN NO.	APPD.
R4		ECN170736	

CONTACT LAYOUT


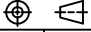


9111-101E250ACCxxU

CONTACT LAYOUT



9111-101E250BCxxU

Tolerances x = ±0.50 .x = ±0.25 .xx = ±0.15	Drawn No.	9111-D0000-002		Title: 9111 Series Hard Metric Connector Male Type E	 <b>OUPIIN ELECTRONIC(KUNSHAN) CO., LTD.</b> P/N: 9111-101E250ACCxxU			
	Projection							
	Unit	mm	Scale		1:1	SHEET	2/2	Ver.No.
Drawn By	MXM 07/20'17							