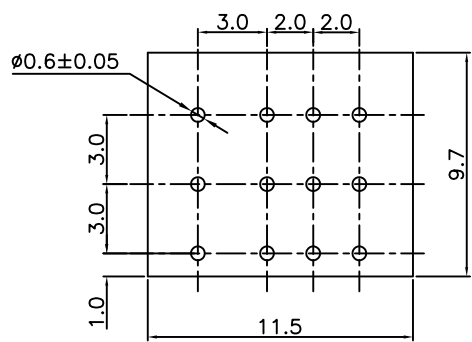
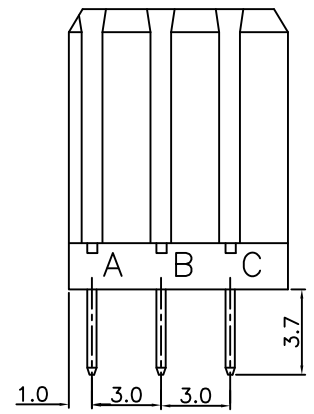
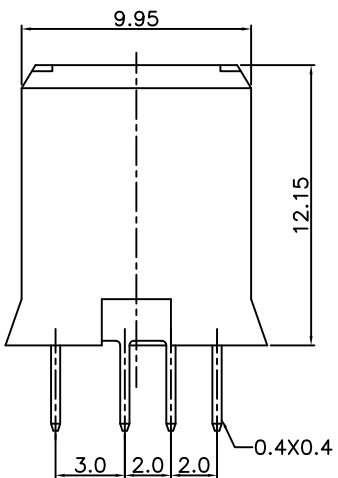
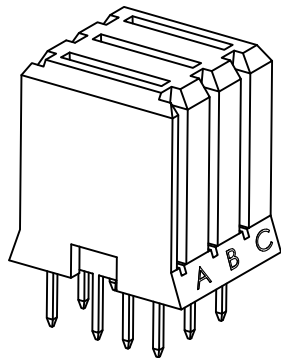
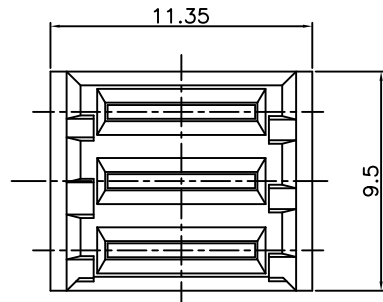
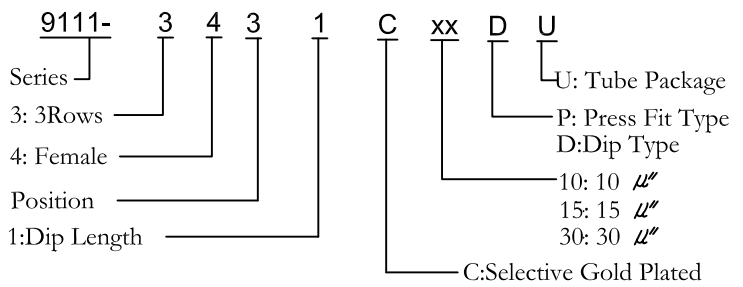


REV.	SPECIFICATION	ECN NO.	APPD.
R5		ECN171115	



P.C.Board Layout



Material:

Housing: High Temperature Plastic UL94V-0.
 Contacts: Copper Alloy

Electrical Characteristics:

Current Rating: 15 AMP.
 Dielectric Withstanding Voltage: AC 1000V For 1 minute.
 Insulator Resistance: 10000MΩ min. at DC 500V.
 Contact Resistance: 20mΩ max. at DC 100mA.
 Operating Temperature: -55°C ~ +125°C .

***RoHS Compliant**

Tolerances	Dwg. No.	9111D34002
x = ±0.5	Projection	
.x = ±0.25	Unit	mm
.xx = ±0.15	Scale	1:1
	Drawn By	MXM 11/08'17

Title: 9111 Series
 Female Power Modules
 Dip Type

OUPIIN ELECTRONIC(KUNSHAN) CO., LTD.			
P/N: 9111-3431CxxDU			
SHEET	1/1	Ver.No.	R5