

REV.	SPECIFICATION	ECN NO.	APPD.
R3		ECN140707	

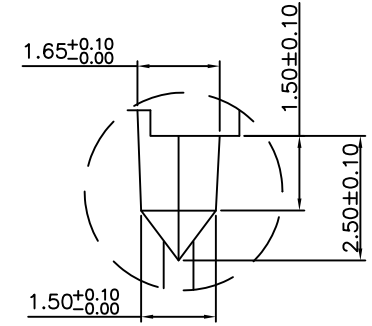
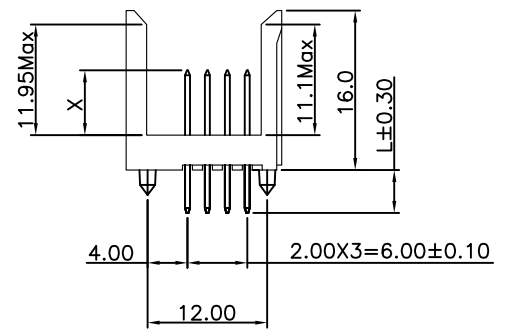
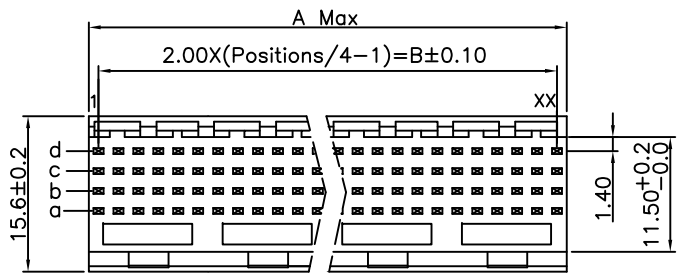
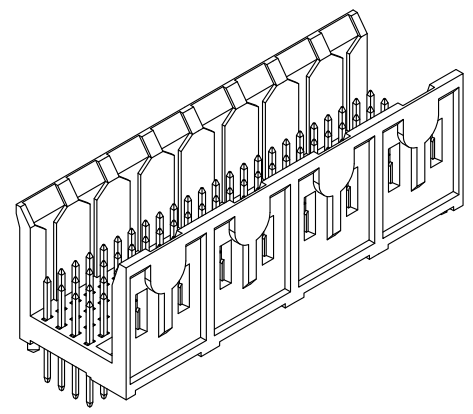
**Material:**

Housing: High Temperature Plastic UL94V-0  
 Contacts: Copper Alloy.

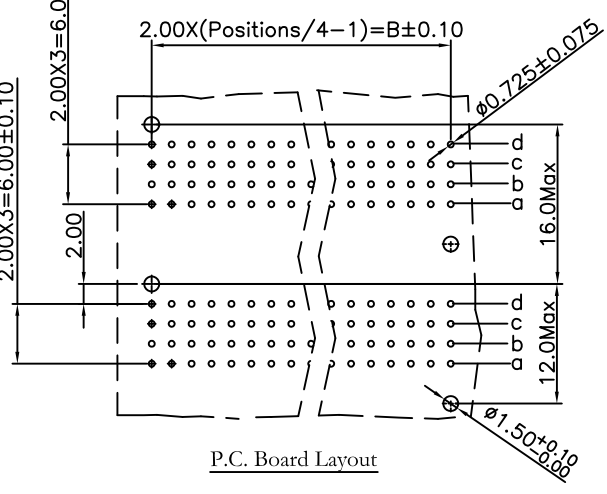
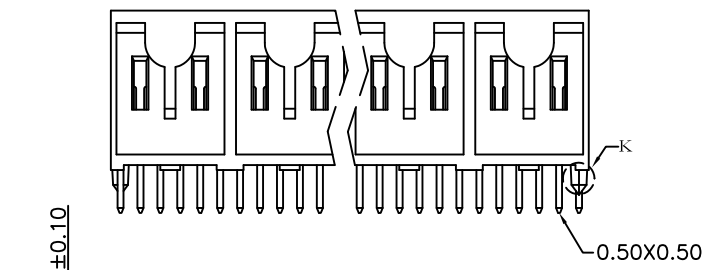
**Electrical Characteristics:**

Current Rating: 1 AMP.  
 Dielectric Withstanding Voltage: AC 1000V For 1 minute.  
 Insulator Resistance: 1000MΩ min. at DC 500V.  
 Contact Resistance: 30mΩ max. at DC 100mA.  
 Operating Temperature: -55°C~+125°C .

**\*RoHS Compliant**



9111- 4 1 xx x C xx D U  
 Series— 4: 4Rows  
 1: Male Signal  
 Position—  
 A: A~V See Dimension  
 U: Tube Package  
 D: Dip Type  
 10: 10μ"  
 30: 30μ"  
 C: Dip Tin  
 Contact Gold  
 G: Gold Plated



P/N.	L	X
9111-41xxACxxD	4.3	5.00
9111-41xxBCxxD		5.75
9111-41xxECxxD		6.50
9111-41xxFCxxD		7.25
9111-41xxHCxxD		8.00
9111-41xxJCxxD	13.6	5.00
9111-41xxKCxxD		5.75
9111-41xxLCxxD		6.50
9111-41xxMCxxD		7.25
9111-41xxNCxxD		8.00
9111-41xxRCxxD	17.0	5.00
9111-41xxSCxxD		5.75
9111-41xxTCxxD		6.50
9111-41xxUCxxD		7.25
9111-41xxVCxxD		8.00

Position (XX)	Dimension	
	A	B
24	11.95	10
48	23.95	22
72	35.95	34
96	47.95	46
120	59.95	58
144	71.95	70
168	83.95	82
192	95.95	94

Tolerances	Dwg. No.	9111D41001
x = ±0.5	Projection	
.x = ±0.25	Unit	mm
.xx = ±0.15	Scale	1:1
	Drawn By	YQ 08/27'14

Title: 9111 Series  
 H.D.2.0mm(0.079") Futurebus(+)  
 4 Rows Male Straight Type

**OUPIIN**  
 OUPIIN ELECTRONIC(KUNSHAN) CO., LTD.  
 P/N: 9111-41xxxCxxDU  
 SHEET 1/1 Ver.No. R3