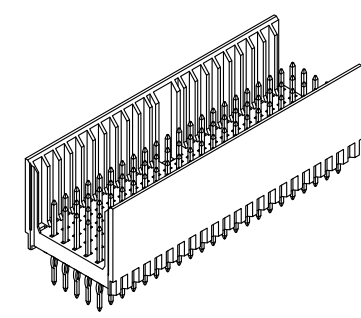
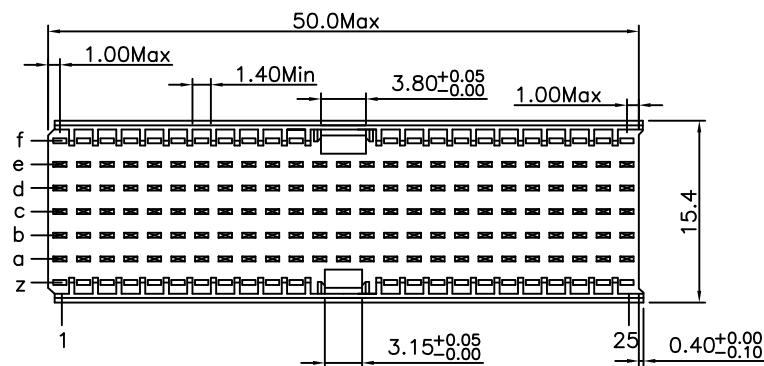


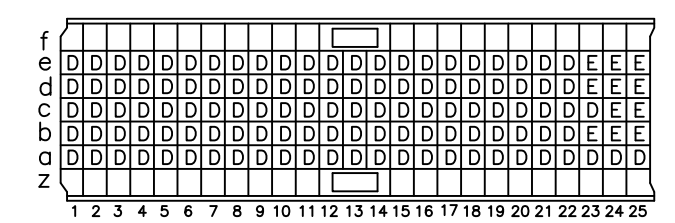
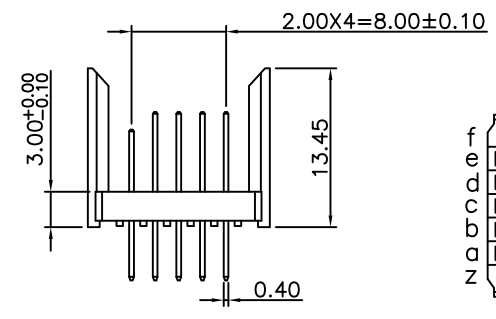
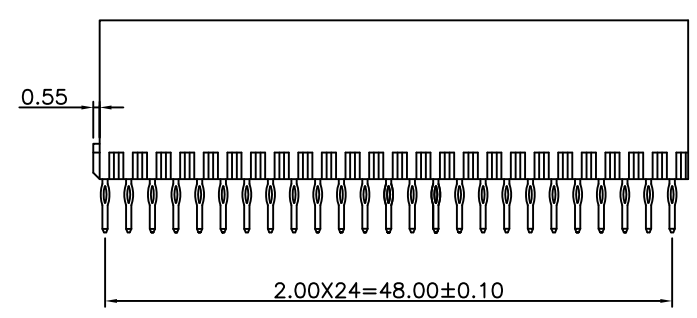
REV.	SPECIFICATION	ECN NO.	APPD.
R2			



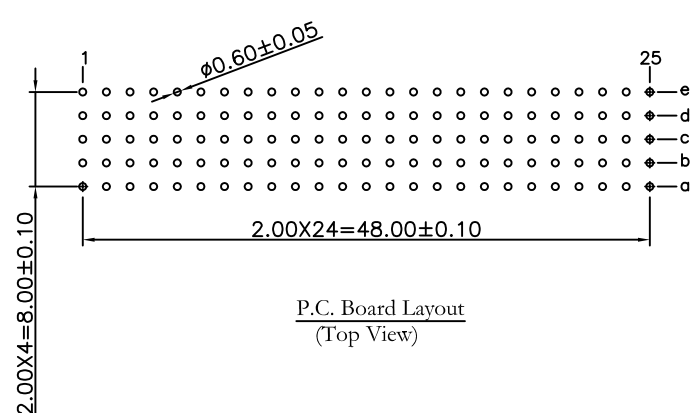
**Material:**  
Housing: Thermoplastic Polyester Glass Filled UL94V-0  
Contacts: Copper Alloy.

**Electrical Characteristics:**  
Current Rating: 1 AMP.  
Dielectric Withstanding Voltage: AC 750V For 1 minute.  
Insulator Resistance: 10000MΩ min.at DC 500V.  
Contact Resistance: 20mΩ max.at DC 100mA.  
Operating Temperature: -55°C ~ +125°C .

**\*RoHS Compliant**



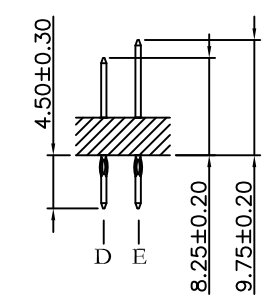
CONTACT LAYOUT



P.C. Board Layout  
(Top View)

9111- 7 1 AB 169 L C xx U  
Series: 9111-  
7Row: 7  
1: Male  
AB: Type AB  
Housing Type: L  
E: E Option

U: Tube Package  
10: 10 u"  
30: 30 u"  
C: Dip Tin  
Contact Gold  
G: Gold



<b>Tolerances</b>	<b>Dwg. No.</b>	9111D71177	<b>Title:</b>		9111 Series 2.00 Hard Metric Connectors Male Type AB-25	 <b>OUPIIN ELECTRONIC(KUNSHAN) CO., LTD.</b>				
x = ±0.5	<b>Projection</b>									<b>P/N:</b>
.x = ±0.25	<b>Unit</b>	mm	<b>Scale</b>	1:1		<b>SHEET</b>	1/1	<b>Ver.No.</b>		<b>R2</b>
.xx = ±0.15	<b>Drawn By</b>	Zhu QL	<b>08/04'12</b>							