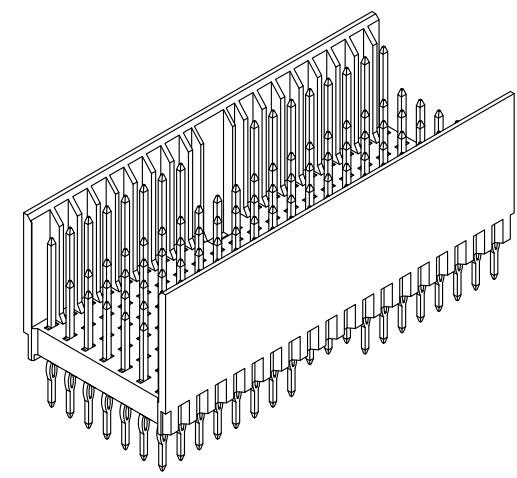
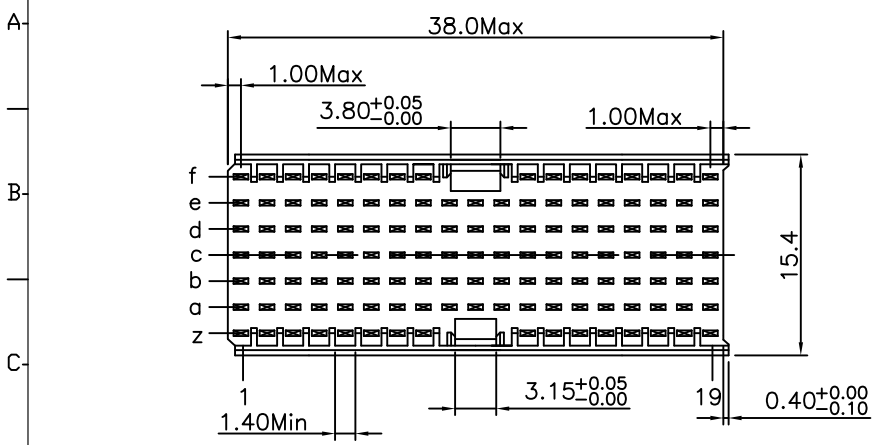


REV.	SPECIFICATION	ECN NO.	APPD.
R1			



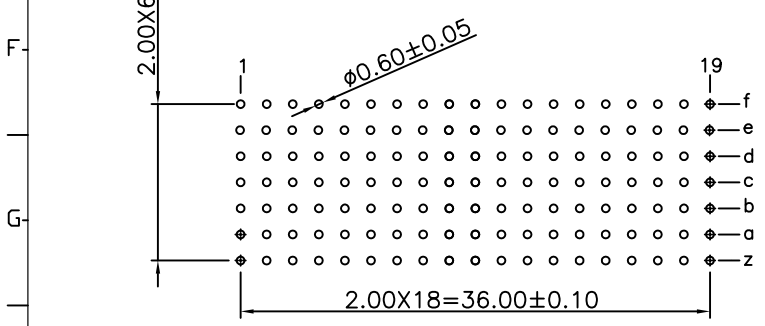
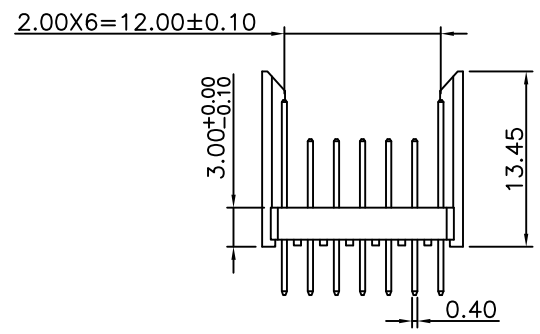
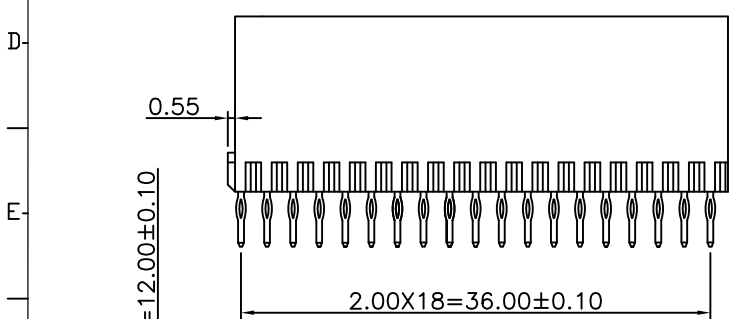
Material:
 Housing: Thermoplastic Polyester Glass Filled UL94V-0
 Contacts: Copper Alloy.

Electrical Characteristics:
 Current Rating: 1 AMP.
 Dielectric Withstanding Voltage: AC 750V For 1 minute.
 Insulator Resistance: 10000MΩ min.at DC 500V.
 Contact Resistance: 20mΩ max.at DC 100mA.
 Operating Temperature: -55°C ~ +125°C.

***RoHS Compliant**

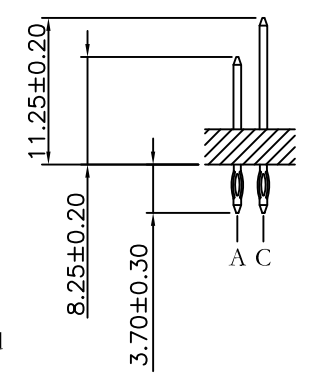
f	C	C	C	C	C	C	C	C		C	C	C	C	C	C	C	C		
e	A	A	A	A	A	A	A	A	A	A	A	A	A	A	A	A	A		
d	A	A	A	A	A	A	A	A	A	A	A	A	A	A	A	A	A		
c	A	A	A	A	A	A	A	A	A	A	A	A	A	A	A	A	A		
b	A	A	A	A	A	A	A	A	A	A	A	A	A	A	A	A	A		
a	A	A	A	A	A	A	A	A	A	A	A	A	A	A	A	A	A		
z	C	C	C	C	C	C	C	C		C	C	C	C	C	C	C			
	1	2	3	4	5	6	7	8	9	10	11	12	13	14	15	16	17	18	19

CONTACT LAYOUT



P.C. Board Layout
(Top View)

9111- 7 1 AB 127 B C xx U
 Series: 9111- 7
 7Row: 1
 1: Male
 AB: Type AB
 Housing Type: B: B Option
 U: Tube Package
 10: 10 u"
 30: 30 u"
 C: Dip Tin
 Contact Gold



Tolerances	Dwg. No.	9111D71059		Title:	9111 Series 2.00 Hard Metric Connectors Male Type AB-19		 OUPIN ELECTRONIC(KUNSHAN) CO., LTD. P/N: 9111-71AB127BCxxU	
x = ±0.5	Projection							
.x = ±0.25	Unit	mm	Scale	1:1				
.xx = ±0.15	Drawn By	Zhu QL 08/15'12						
		SHEET	1/1	Ver.No.	R1			