

| REV. | SPECIFICATION | ECN NO. | APPD. |
|------|---------------|-----------|-------|
| R7 | | ECN180924 | |

Material and Plating:

Housing: LCP, UL94V-0, Ivory.

Contacts: Brass.

Gold Plated on Contact Area and 80u" Min Tin Plated or Gold Flash on Press Fit over nickel 50u" Min .

Electrical Characteristics:

Current Rating: 1 AMP.

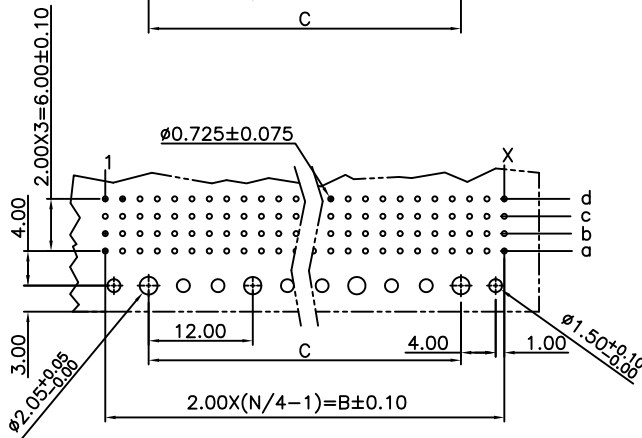
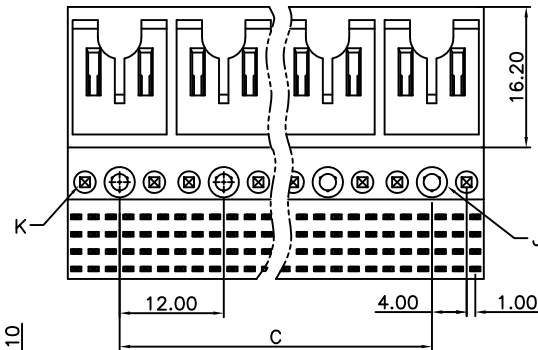
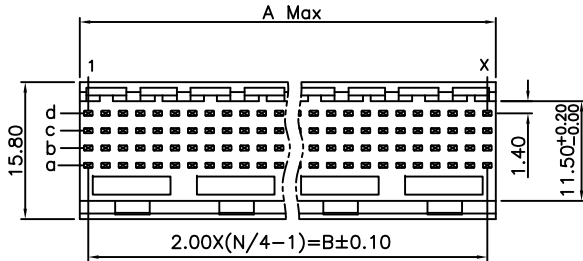
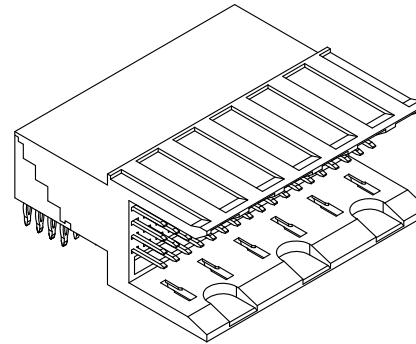
Dielectric Withstanding Voltage: AC 1000V For 1 minute.

Insulator Resistance: 1000MΩ min. at DC 500V.

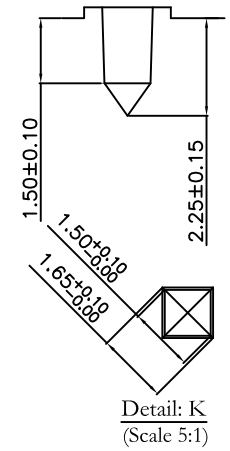
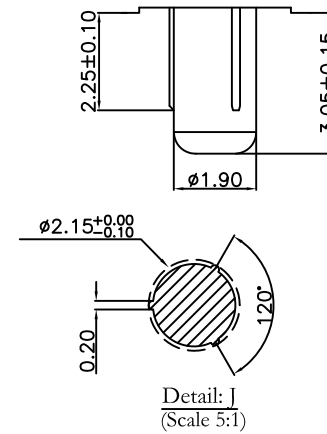
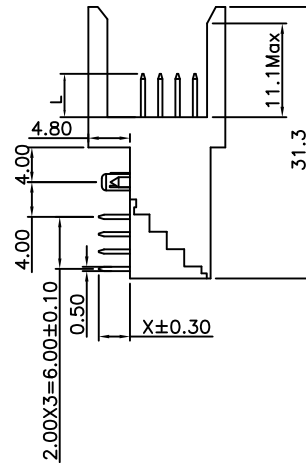
Contact Resistance: 30mΩ max. at DC 100mA.

Operating Temperature: -55°C ~ +125°C .

***RoHS Compliant**



P.C. Board Layout
(Tolerance: ±0.05)



9111-45xx xx CxxPU
 Series: 4: 4Rows, 5: Male Signal
 Position: A~H Contact Length, 1: Dip Length, 2: Dip Length
 C: Selective Gold Plated, G: Gold Plated
 U: Tube Package, P: Press Fit Type
 10: 10 u", 30: 30 u"

| TYPE NO. | L | DIP LENGTH(X) | | |
|----------|------|---------------|------|------|
| | | 1 | 2 | 2.90 |
| A | 5.00 | 11.95 | 10.0 | 0.0 |
| B | 5.75 | 23.95 | 22.0 | 12.0 |
| E | 6.50 | 35.95 | 34.0 | 24.0 |
| F | 7.25 | 47.95 | 46.0 | 36.0 |
| H | 8.00 | 59.95 | 58.0 | 48.0 |
| | | 71.95 | 70.0 | 60.0 |
| | | 83.95 | 82.0 | 72.0 |
| | | 95.95 | 94.0 | 84.0 |

| | | |
|-------------|------------|--------------|
| Tolerances | Dwg. No. | 9111D45001 |
| x = ±0.5 | Projection | |
| .x = ±0.25 | Unit | mm |
| .xx = ±0.15 | Scale | 1:1 |
| | Drawn By | XFF 09/18/18 |

Title: 9111 Series
 H.D 2.0mm
 Futurebus(+)4 Rows Male
 Right Angle Press Fit Type

| | | | |
|-------------------------------------|-----|---------|----|
| OUPIN | | | |
| OUPIN ELECTRONIC(KUNSHAN) CO., LTD. | | | |
| P/N: 9111-45xxxxCxxPU | | | |
| SHEET | 1/1 | Ver.No. | R7 |