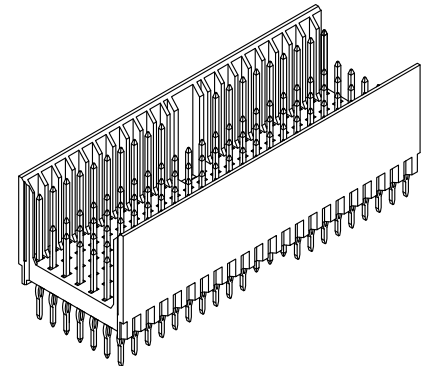
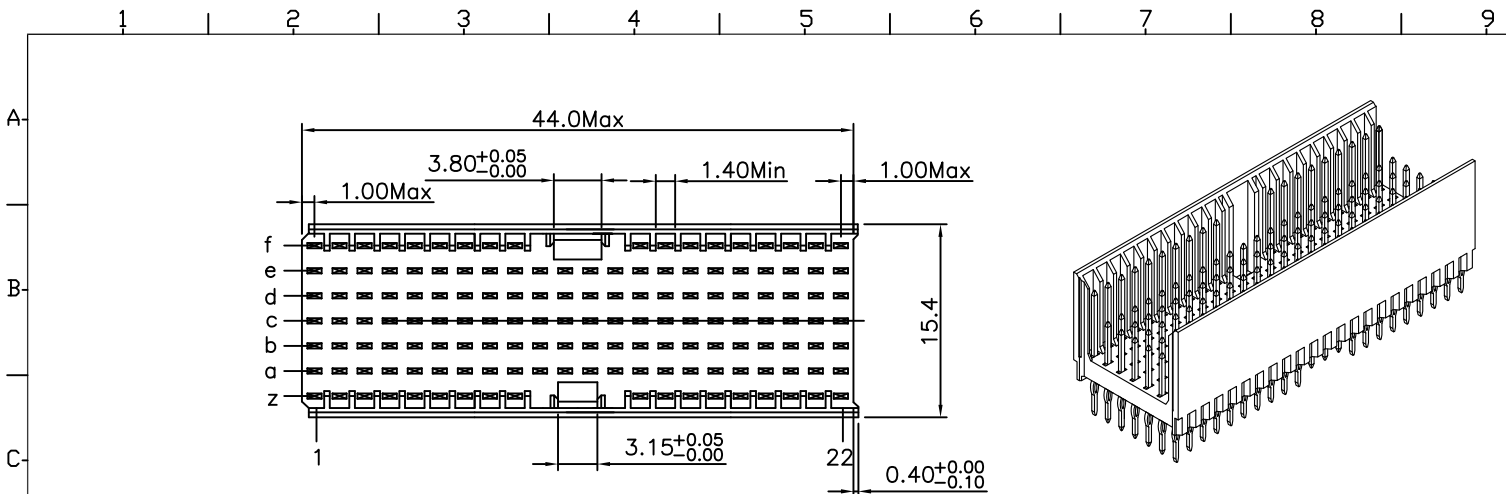


REV.	SPECIFICATION	ECN NO.	APPD.
R1			



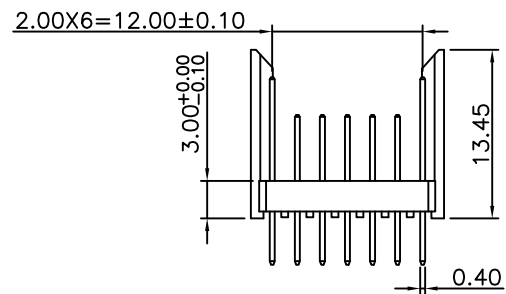
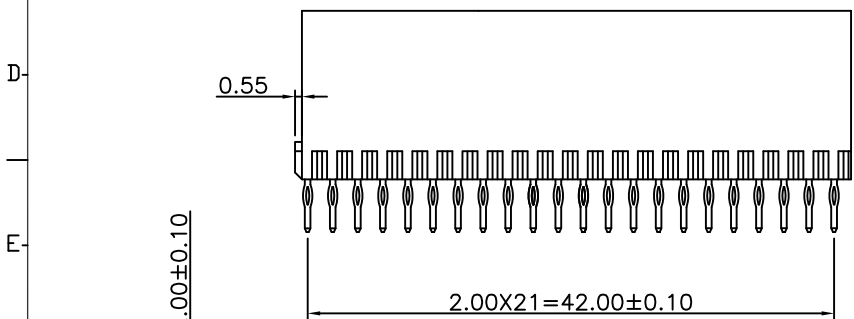
Material:

Housing: Thermoplastic Polyester Glass Filled UL94V-0
 Contacts: Copper Alloy.

Electrical Characteristics:

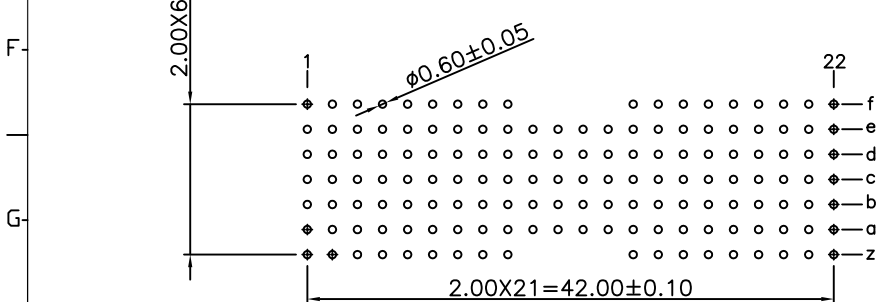
Current Rating: 1 AMP.
 Dielectric Withstanding Voltage: AC 750V For 1 minute.
 Insulator Resistance: 10000MΩ min.at DC 500V.
 Contact Resistance: 20mΩ max.at DC 100mA.
 Operating Temperature: -55°C ~ +125°C .

***RoHS Compliant**



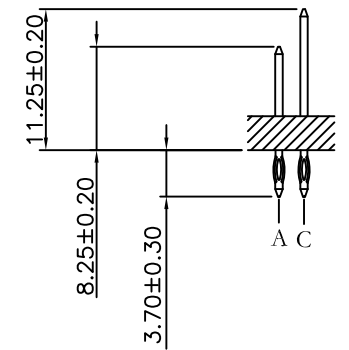
f	C	C	C	C	C	C	C	C		C	C	C	C	C	C	C	C	C	C			
e	A	A	A	A	A	A	A	A	A	A	A	A	A	A	A	A	A	A	A			
d	A	A	A	A	A	A	A	A	A	A	A	A	A	A	A	A	A	A	A			
c	A	A	A	A	A	A	A	A	A	A	A	A	A	A	A	A	A	A	A			
b	A	A	A	A	A	A	A	A	A	A	A	A	A	A	A	A	A	A	A			
a	A	A	A	A	A	A	A	A	A	A	A	A	A	A	A	A	A	A	A			
z	C	C	C	C	C	C	C	C		C	C	C	C	C	C	C	C	C				
	1	2	3	4	5	6	7	8	9	10	11	12	13	14	15	16	17	18	19	20	21	22

CONTACT LAYOUT



P.C. Board Layout
(Top View)

9111- 7 1 AB 146 A C xx U
 Series: 7Row, 1: Male, AB: Type AB, Housing Type, A: A Option
 U: Tube Package
 10: 10 u", 30: 30 u"
 C: Dip Tin, Contact Gold
 G: Gold



Tolerances	Dwg. No.	9111D71062	Title:	
x = ±0.5	Projection		9111 Series	
.x = ±0.25	Unit	mm	2.00 Hard Metric	
.xx = ±0.15	Drawn By	Zhu QL 08/15'12	Connectors Male	
			Type AB-22	

9111 Series
 2.00 Hard Metric
 Connectors Male
 Type AB-22

OUPIN			
OUPIN ELECTRONIC(KUNSHAN) CO., LTD.			
P/N: 9111-71AB146ACxxU			
SHEET	1/1	Ver.No.	R1