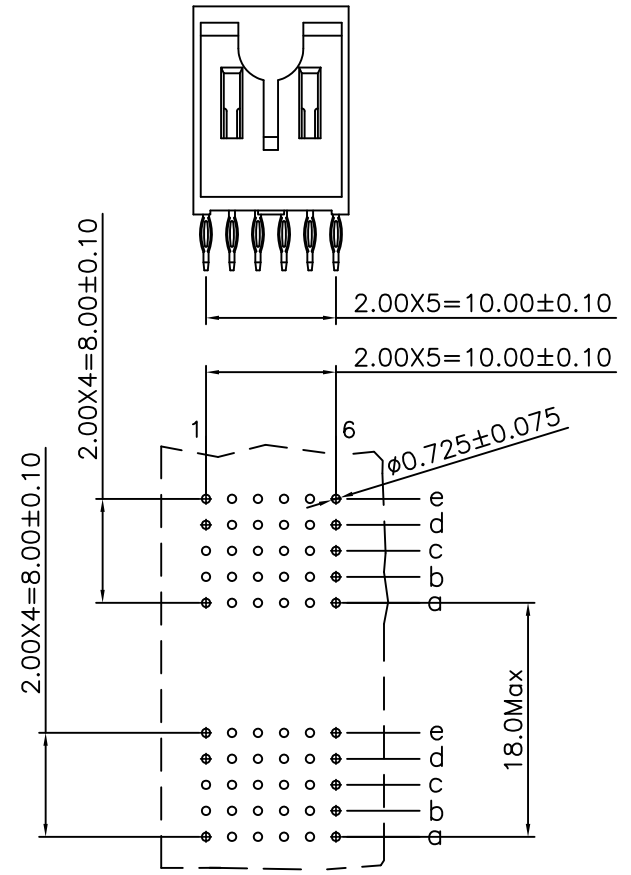
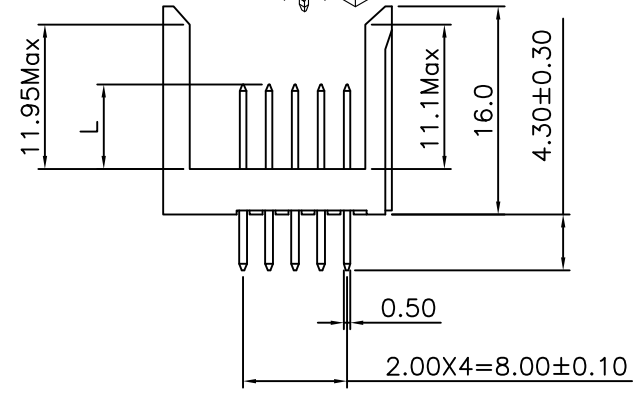
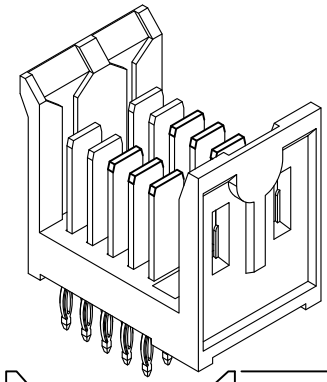
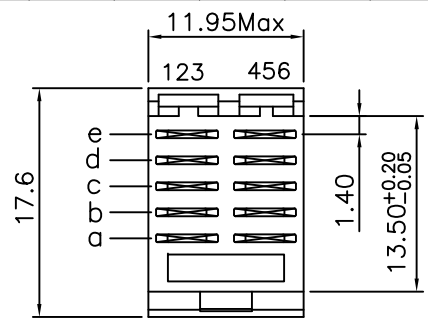


REV.	SPECIFICATION	ECN NO.	APPD.
R3		ECN140533	

Material:
Housing: High Temperature Plastic UL94V-0.
Contacts: Copper Alloy.

Electrical Characteristics:
Current Rating: 3 AMP.
Dielectric Withstanding Voltage: AC 1000V For 1 minute.
Insulator Resistance: 1000MΩ min. at DC 500V.
Contact Resistance: 30mΩ max. at DC 100mA.
Operating Temperature: -55°C ~+125°C .
***RoHS Compliant**



P.C. Board Layout
(Tolerance: ±0.05)

9111- 5 3 10 x C xx P U
 Series 5: 5Rows 3: Male Power Position A,B,E(See the P/N form) C: Dip Tin Contact Gold
 U: Tube Package P: Press Fit Type 10: 10 μ" 30: 30 μ"

Tolerances	Dwg. No.	9111D53003	
x = ±0.5	Projection	⊕ ◻	
.x = ±0.25	Unit	mm	Scale 1:1
.xx = ±0.15	Drawn By	YQ 06/25'14	

Title: 9111 Series
 H.D. 2.0mm
 Futurebus(+) 5 Rows
 Male Power Press Fit Type

P/N.	L
9111-5310ACxxPU	6.50
9111-5310BCxxPU	7.25
9111-5310ECxxPU	8.00

OUPIN
OUPIN ELECTRONIC(KUNSHAN) CO., LTD.
 P/N: 9111-5310xCxxPU

SHEET	1/1	Ver.No.	R3
--------------	-----	----------------	----