

REV.	SPECIFICATION	ECN NO.	APPD.
R2		ECN120814	

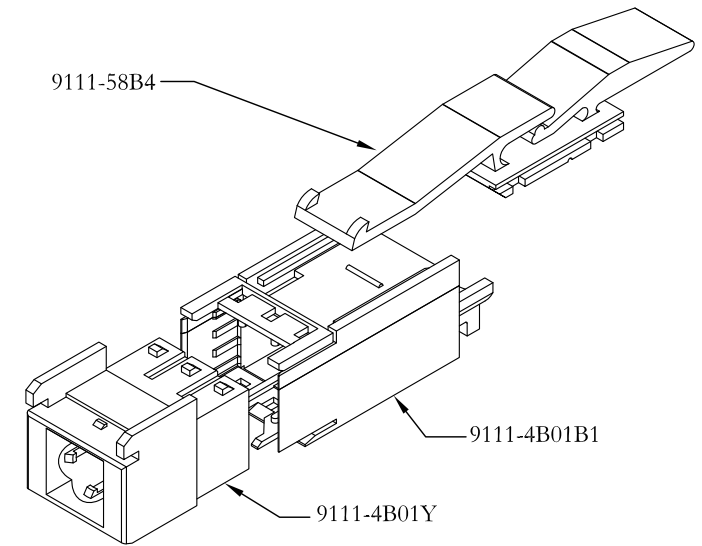
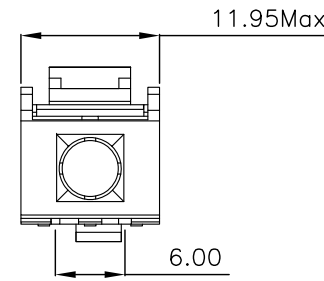
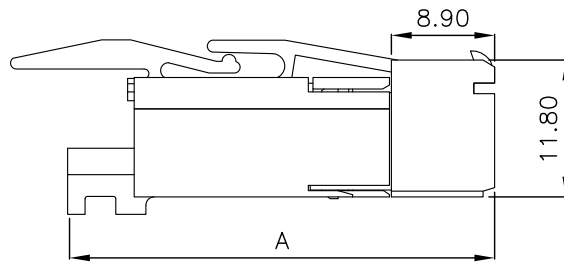
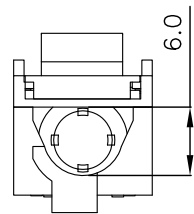
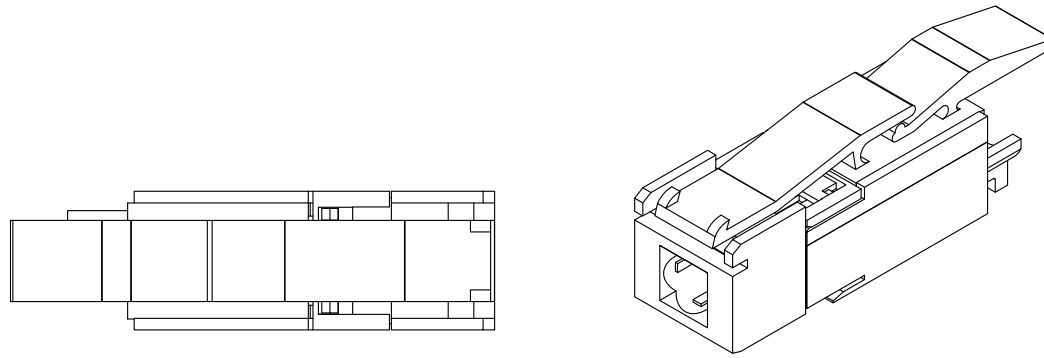
**Material:**

Housing: Thermoplastic Polyester Glass Filled UL94V-0.

**Electrical Characteristics:**

Operating Temperature: -55°C ~+125°C .

**\*RoHS Compliant**



9111- 4 B x 001 G1 B

Series ———  
4:For 4Rows Use ———

B: Female ———  
A: Coaxial contacts ———  
B: Power contacts ———

B: Bulk Package ———  
See Table ———  
Pin Type No. ———

Code	AWG	A
G1	28~30	36.7
G2	28~30	42.7
G3	24~26	36.7
G4	24~26	42.7

<b>Tolerances</b>	<b>Dwg. No.</b>	9111D4B001
x = ±0.5	<b>Projection</b>	
.x = ±0.25	<b>Unit</b>	mm
.xx = ±0.15	<b>Scale</b>	1:1
	<b>Drawn By</b>	FL 08/06'12

**Title:**

9111 Series  
Power Cable Connector  
I.D.C.Type  
Female

<b>OUPIN</b>			
OUPIN ELECTRONIC(KUNSHAN) CO., LTD.			
P/N: 9111-4Bx001G1B			
<b>SHEET</b>	1/1	<b>Ver.No.</b>	R2