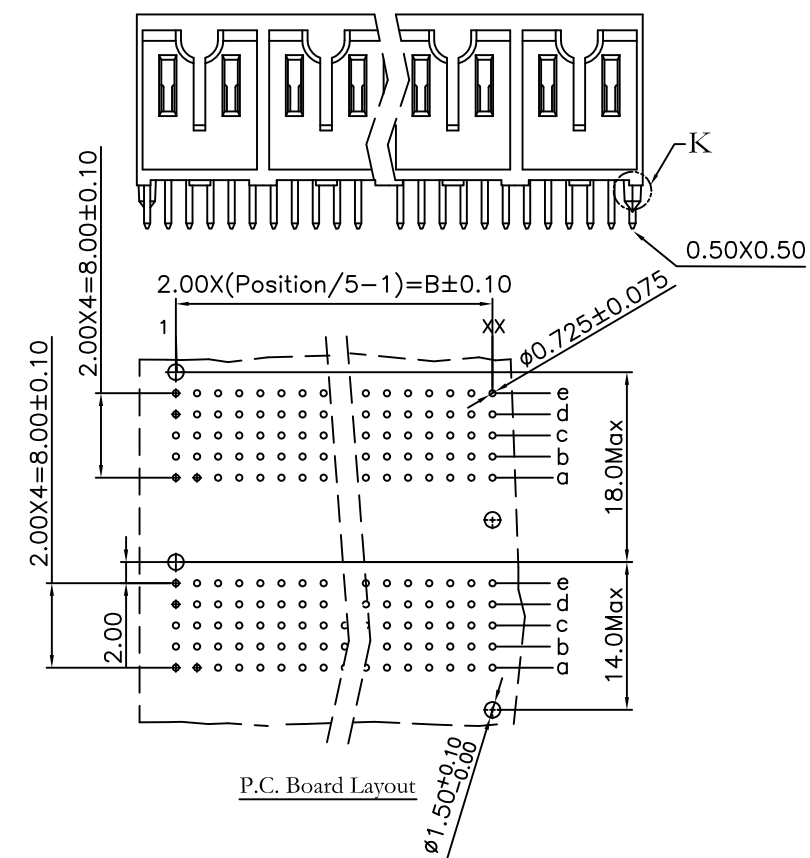
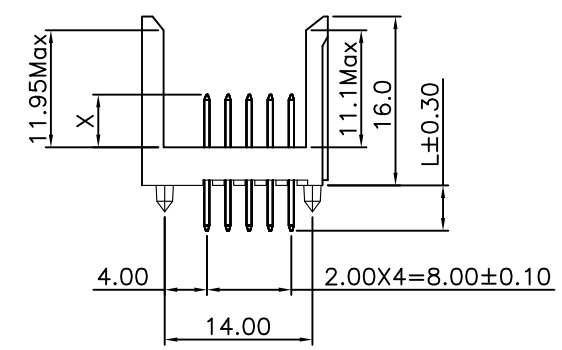
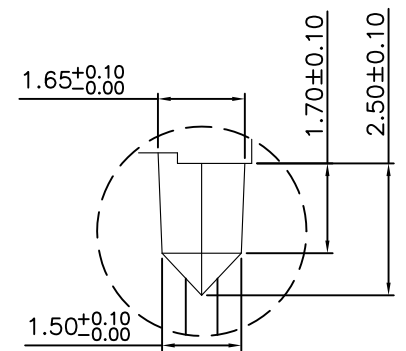
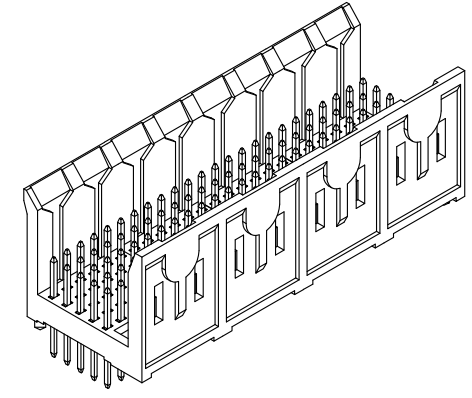
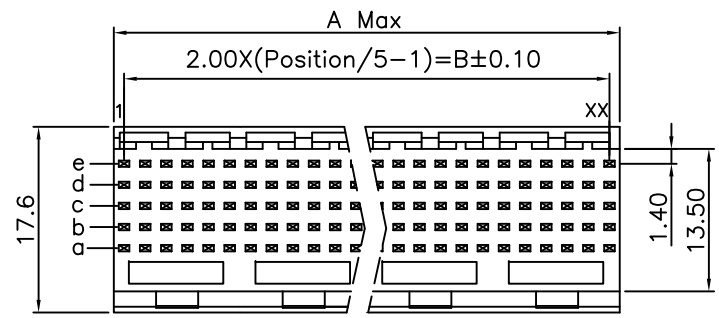


REV.	SPECIFICATION	ECN NO.	APPD.
R2		ECN140707	

Material:
Housing: High Temperature Plastic UL94V-0
Contacts: Copper Alloy.

Electrical Characteristics:
Current Rating: 1 AMP.
Dielectric Withstanding Voltage: AC 1000V For 1 minute.
Insulator Resistance: 1000MΩ min. at DC 500V.
Contact Resistance: 30mΩ max. at DC 100mA.
Operating Temperature: -55°C~+125°C .

***RoHS Compliant**



9111- 5 1 xx x C xx D U
Series: 5: 5Rows, 1: Male Signal, Position: A: A~V See Dimension
U: Tube Package, D: Dip Type, 10: 10 μ", 30: 30 μ", C: Dip Tin, Contact Gold, G: Gold

Position (n)	Dimension		P/N.	L	X
	A	B			
30	11.95	10.0	9111-51xxACxxDU	4.3	5.00
60	23.95	22.0	9111-51xxBCxxDU		5.75
90	35.95	34.0	9111-51xxECxxDU		6.50
120	47.95	46.0	9111-51xxFCxxDU		7.25
150	59.95	58.0	9111-51xxHCxxDU		8.00
180	71.95	70.0	9111-51xxJCxxDU	13.6	5.00
210	83.95	82.0	9111-51xxKCxxDU		5.75
240	95.95	94.0	9111-51xxLCxxDU		6.50
270	107.95	106.0	9111-51xxMCxxDU		7.25
300	119.95	118.0	9111-51xxNCxxDU		8.00
330	131.95	130.0	9111-51xxRCxxDU	17.0	5.00
360	143.95	142.0	9111-51xxSCxxDU		5.75
390	155.95	154.0	9111-51xxTCxxDU		6.50
			9111-51xxUCxxDU		7.25
			9111-51xxVCxxDU		8.00

Tolerances	Dwg. No.	9111D51011		Title:
x = ±0.5	Projection			9111 Series H.D. Male 2.0mm Dip Type 5 Rows
.x = ±0.25	Unit mm	Scale	1:1	
.xx = ±0.15	Drawn By	YQ 09/30'14		

OUPIN
OUPIN ELECTRONIC(KUNSHAN) CO., LTD.
P/N: 9111-51xxxCxxDU

SHEET	1/1	Ver.No.	R2
--------------	-----	----------------	----