

REV.	SPECIFICATION	ECN NO.	APPD.
R4		ECN171115	

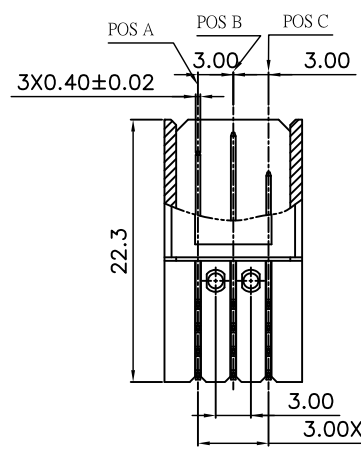
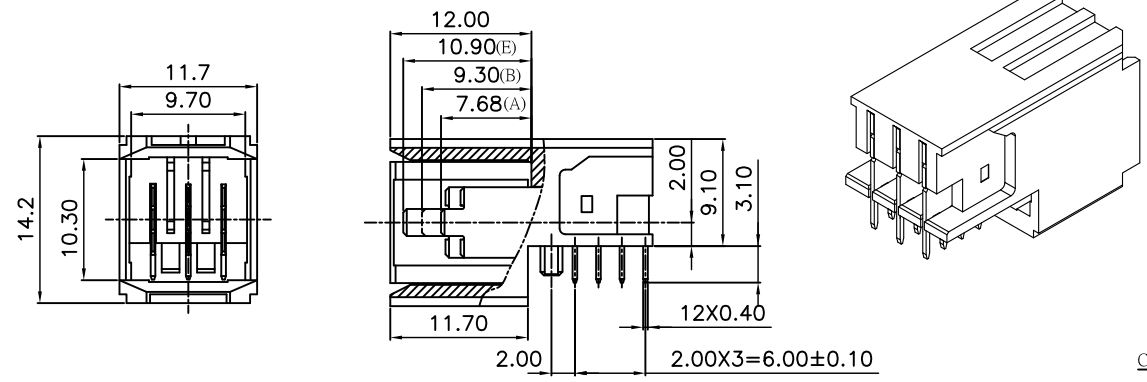
Material:

Housing: Thermoplastic Polyester Glass Filled UL94V-0.
 Contacts: Copper Alloy

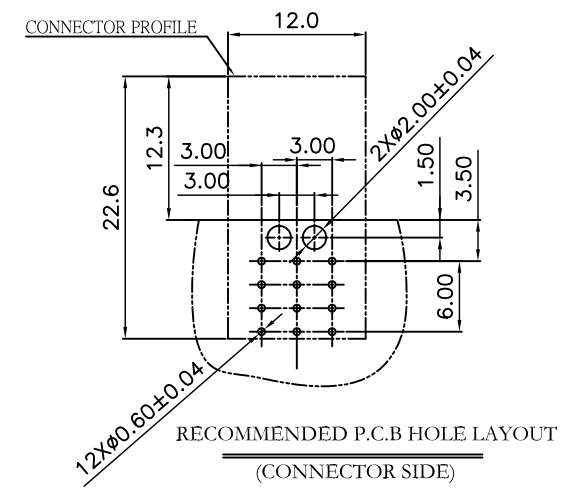
Electrical Characteristics:

Current Rating: 15 AMP.
 Dielectric Withstanding Voltage: AC 1000V For 1 minute.
 Insulator Resistance: 10000MΩ min. at DC 500V.
 Contact Resistance: 20mΩ max. at DC 100mA.
 Operating Temperature: -55°C ~+125°C .

***RoHS Compliant**



9111- 3 3 3 x C xx D U
 Series 3: 3Row
 3: Male
 Position 1~10: Pin Assembly Type
 C: Dip Tin
 Contact Gold
 U: Tube Package
 D: Dip Type
 10: 10 u"
 15: 15 u"
 30: 30 u"



Pin Assembly Type Schematic										
-----------------------------	--	--	--	--	--	--	--	--	--	--

Part No.	9111-3331CxxD	9111-3332CxxD	9111-3333CxxD	9111-3334CxxD	9111-3335CxxD	9111-3336CxxD	9111-3337CxxD	9111-3338CxxD	9111-3339CxxD	9111-33310CxxD
----------	---------------	---------------	---------------	---------------	---------------	---------------	---------------	---------------	---------------	----------------

Tolerances	Dwg No.	Title:		 OUPIN ELECTRONIC(KUNSHAN) CO., LTD. P/N: 9111-333xCxxDU SHEET 1/1 Ver.No. R4
x = ±0.5	Projection	9111D33002		
.x = ±0.25	Unit mm	Scale	1:1	
.xx = ±0.15	Drawn By	MXM 11/08'17		

9111 Series
 Power Modules
 Male Dip Type