

REV.	SPECIFICATION	ECN NO.	APPD.
R1		ECN180545	

**Material and Plating:**

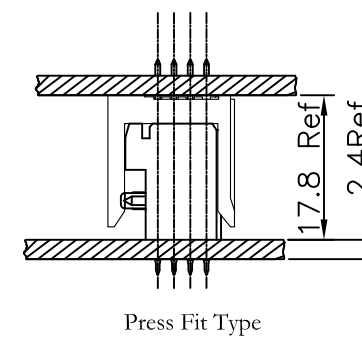
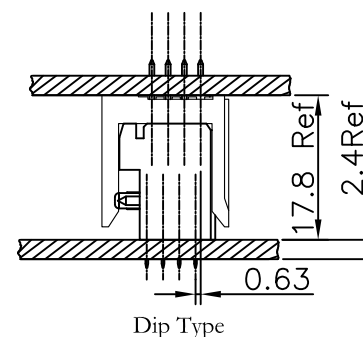
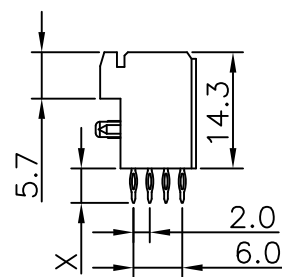
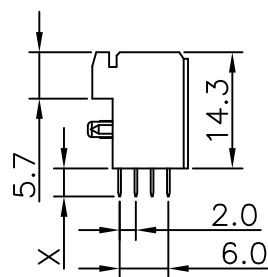
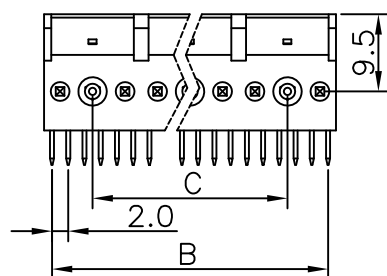
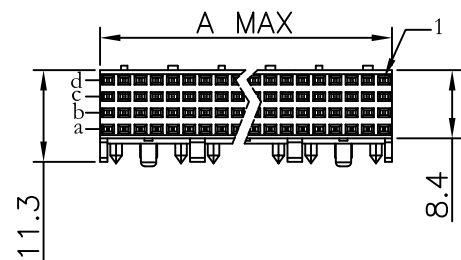
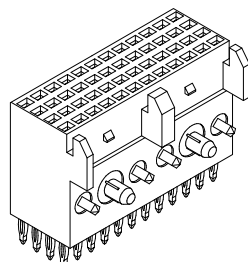
Housing: LCP, Beige, UL94V-0  
 Contacts: Phosphor Bronze.

Gold plated on Contact Area and 80u" Min Tin Plated on Solder Tail over Nickel 50u" Min .

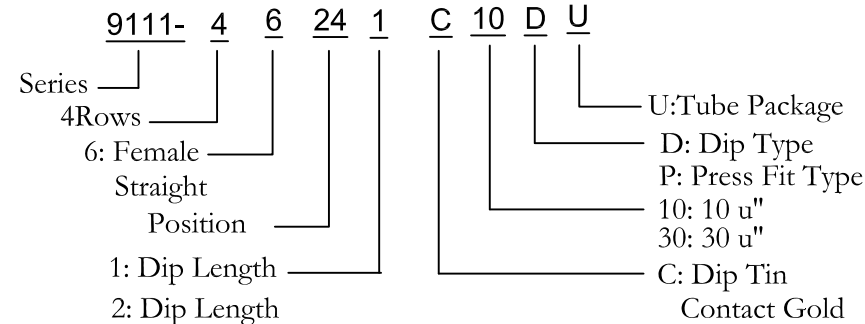
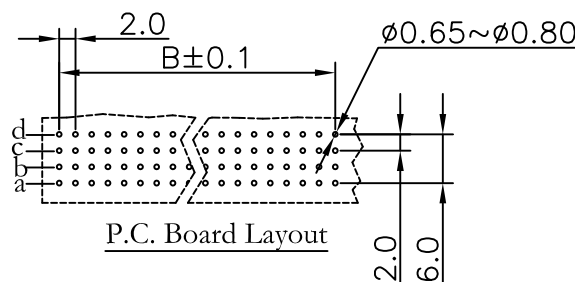
**Electrical Characteristics:**

Current Rating: 1 AMP.  
 Dielectric Withstanding Voltage: AC 1000V For 1 minute.  
 Insulator Resistance: 1000MΩ min. at DC 500V.  
 Contact Resistance: 30mΩ max. at DC 100mA.  
 Operating Temperature: -55°C ~+125°C .

**\*RoHS Compliant**



Board-to-Board Offset Application Example



Position	Dimension		
	A	B	C
24	11.95	10.0	0
48	23.95	22.0	12.0
72	35.95	34.0	24.0
96	47.95	46.0	36.0
120	59.95	58.0	48.0
144	71.95	70.0	60.0
168	83.95	82.0	72.0
192	95.95	94.0	84.0
X Length	1	2	
	3.45	4.25	

Tolerances	Drawn No.	9111D46005	Title:
x = ±0.5	Projection		9111 Series
.x = ±0.25	Unit	mm	H.D. Female 2.0mm
.xx = ±0.15	Drawn By	ZJ 05/24 18'	Straight Type

<b>OUPIN</b>			
OUPIN ELECTRONIC(KUNSHAN) CO., LTD.			
P/N: 9111-46xxxCxxD(P)U			
SHEET	1/1	Ver.No.	R1