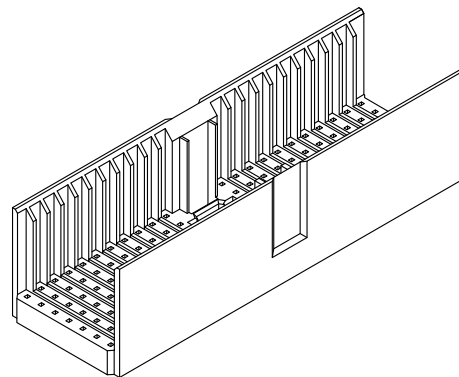
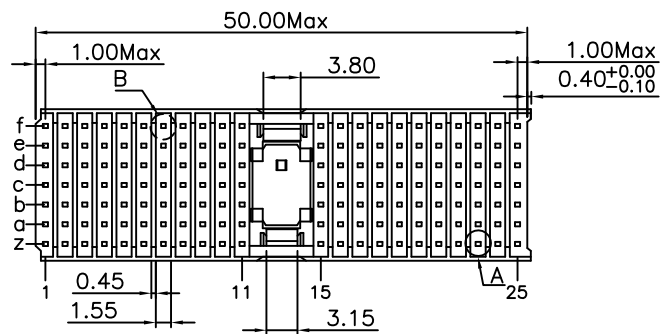


REV.	SPECIFICATION	ECN NO.	APPD.
R2			



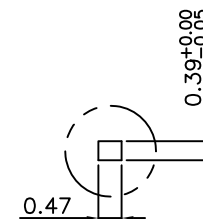
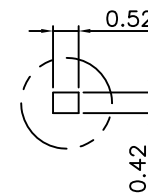
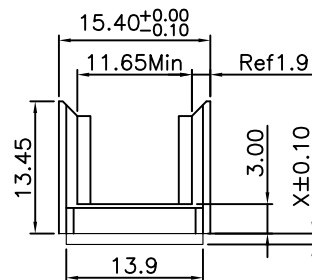
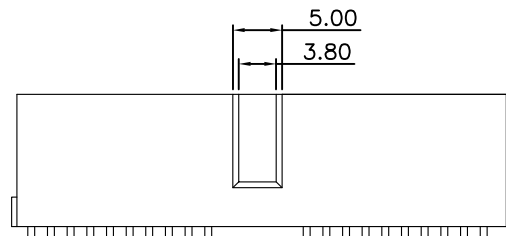
**Material:**

Housing: Thermoplastic Polyester Glass Filled UL94V-0

**Electrical Characteristics:**

Operating Temperature: -55°C ~+125°C .

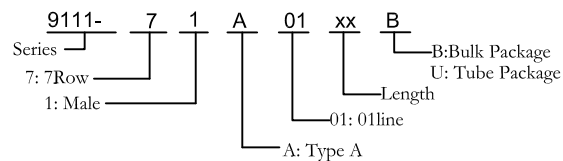
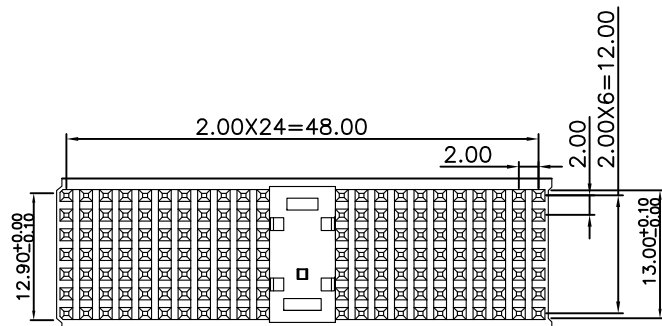
**\*RoHS Compliant**



(4, 5, 6, 7, 23, 24, 25P)

Detail A

Detail B



X	Length
00	0.00
01	0.90
02	1.10
03	1.30
04	1.50
05	1.70
06	1.90
07	2.20
08	3.00

<b>Tolerances</b> x = ±0.5 .x = ±0.25 .xx = ±0.15	<b>Dwg. No.</b>	9111D71168		<b>Title:</b> 9111 Series 2.00 Hard Metric connectors shrouds type A Housing	 <b>OUPIIN ELECTRONIC(KUNSHAN) CO., LTD.</b>				
	<b>Projection</b>							<b>P/N:</b> 9111-71A01xxB	
	<b>Unit</b> mm	<b>Scale</b>	1:1		<b>SHEET</b>	1/1	<b>Ver.No.</b>		
	<b>Drawn By</b>	Zhu QL 08/27'12							