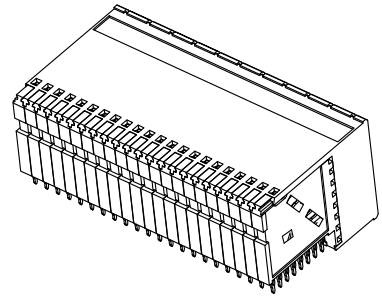
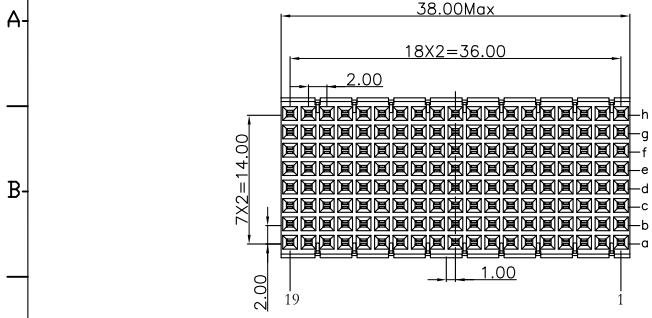
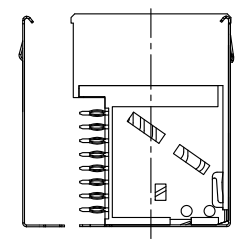
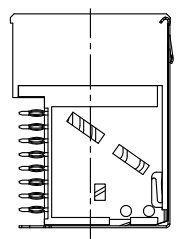
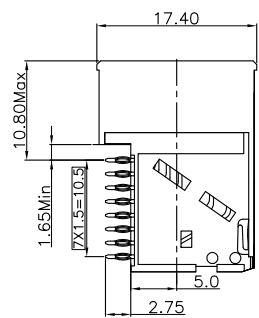
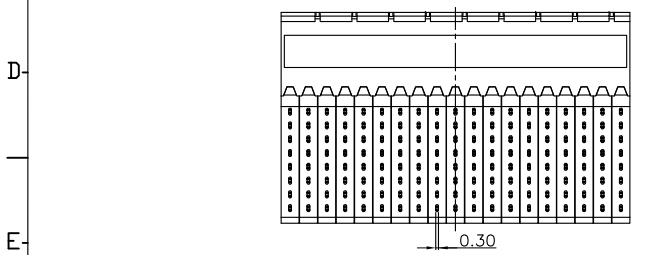


REV.	SPECIFICATION	ECN NO.	APPD.
R7		ECN170312	



Material:
Housing: Thermoplastic Polyester Glass Filled UL94V-0.
Contacts: Copper Alloy.

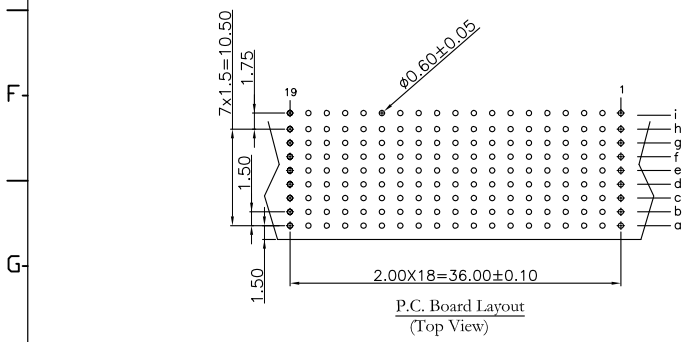
Electrical Characteristics:
Current Rating: 1 AMP.
Dielectric Withstanding Voltage: AC 750V For 1 minute.
Insulator Resistance: 10000MΩ min. at DC 500V.
Contact Resistance: 20mΩ max. at DC 100mA.
Operating Temperature: -55°C ~+125°C .
***RoHS Compliant**



None Shielded

With Top Body Shielded

With Top Body Shielded and Bottom Shielded



P.C. Board Layout
(Top View)

9111- 10 2 E 152 x CB 30 U

Series: 10Row, 2: Female, E: Type E, Position

U: Tube package
30: 30 u"
CB: Dip Tin Plated Contact Au+Pd/Ni Plated

1: None Shielded
2: Top Body Shielded
3: Top Body Shielded and Bottom Shielded (Package Separately)

Tolerances	Dwg. No.	9111-D0000-012
x = ±0.5	Projection	
.x = ±0.25	Unit	mm
.xx = ±0.15	Scale	1:1
	Drawn By	zbs 03/17'17

Title:
9111 Series
Hard Metric Connector
Female Right Angle Type E-19

OUPIN			
OUPIN ELECTRONIC(KUNSHAN) CO., LTD.			
P/N: 9111-102E152xCB30U			
SHEET	1/1	Ver.No.	R7