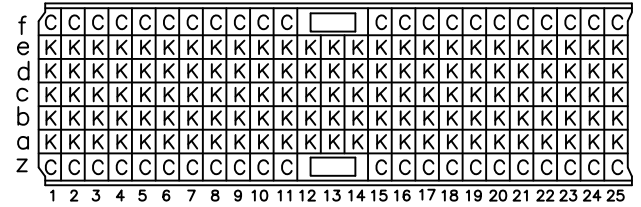
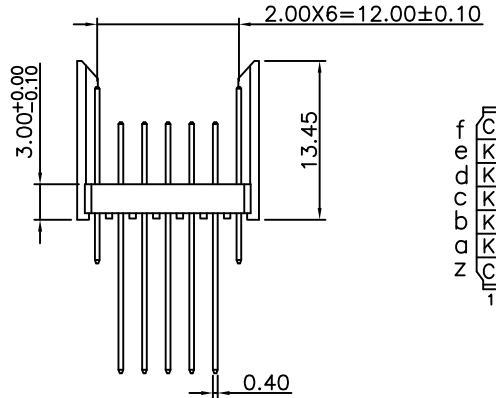
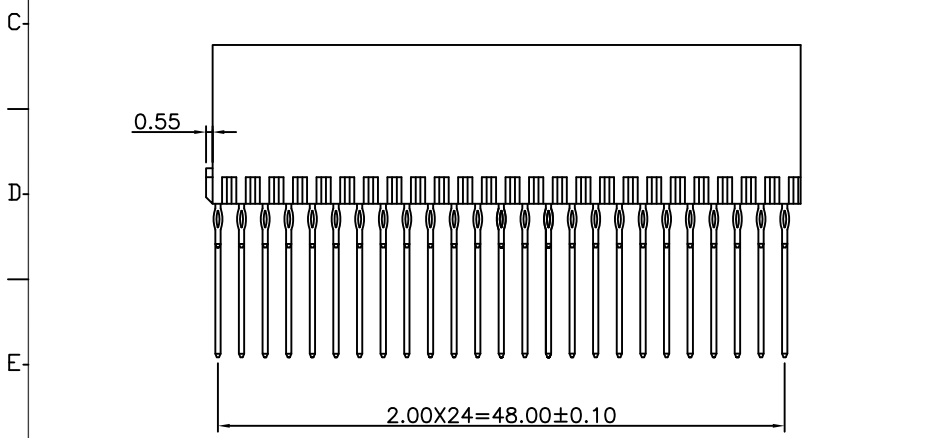


REV.	SPECIFICATION	ECN NO.	APPD.
R1			

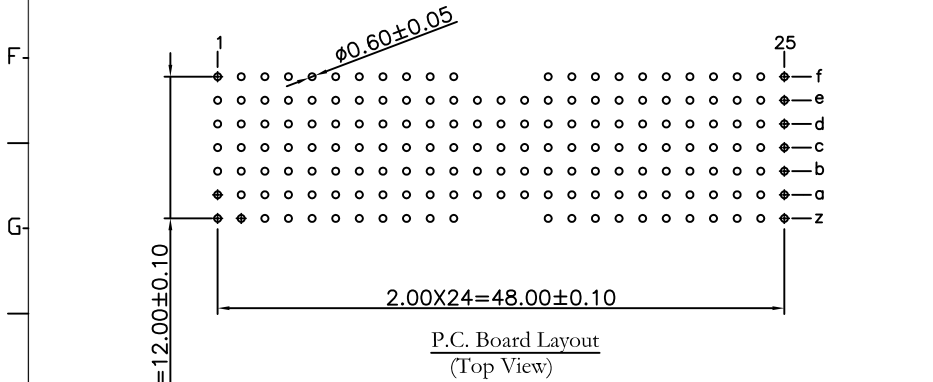
Material:
Housing: Thermoplastic Polyester Glass Filled UL94V-0
Contacts: Copper Alloy.

Electrical Characteristics:
Current Rating: 1 AMP.
Dielectric Withstanding Voltage: AC 750V For 1 minute.
Insulator Resistance: 10000MΩ min.at DC 500V.
Contact Resistance: 20mΩ max.at DC 100mA.
Operating Temperature: -55°C ~ +125°C .

***RoHS Compliant**

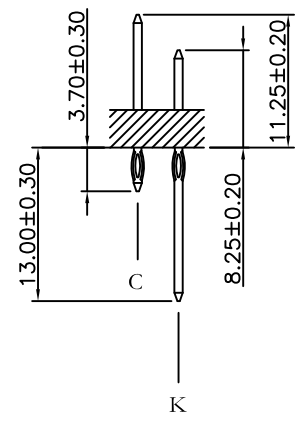


CONTACT LAYOUT



9111- 7 1 AB 169 E C xx U

Series: 9111-
7Row: 7
1: Male
AB: Type AB
Housing Type: 169
E: E Option
C: Dip Tin
xx: Contact Gold
U: Tube Package
10: 10 u"
30: 30 u"



Tolerances	Dwg. No.	9111D71067	Title:	9111 Series 2.00 Hard Metric Connectors Male Type AB-25
x = ±0.5	Projection			
.x = ±0.25	Unit	mm	Scale	1:1
.xx = ±0.15	Drawn By	Zhu QL 08/15'12		

9111 Series
2.00 Hard Metric
Connectors Male
Type AB-25

OUPIN			
OUPIN ELECTRONIC(KUNSHAN) CO., LTD.			
P/N: 9111-71AB169ECxxU			
SHEET	1/1	Ver.No.	R1