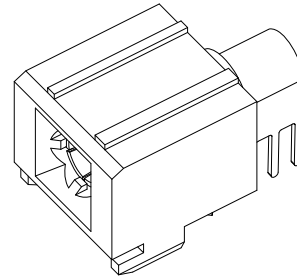
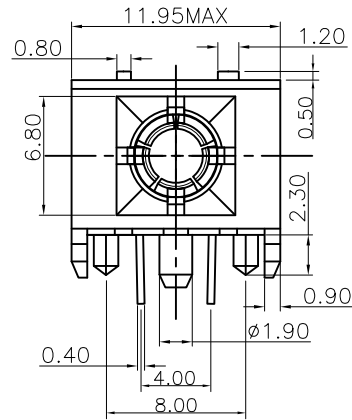


REV.	SPECIFICATION	ECN NO.	APPD.
R3			



Material:

Housing: High Temperature Plastic UL94V-0.

Contacts: Phosphor Bronze.

Electrical Characteristics:

Current Rating: 30 AMP.

Dielectric Withstanding Voltage: AC 1000V For 1 minute.

Insulator Resistance: 5000MΩ min. at DC 500V.

Contact Resistance: 10mΩ max. at DC 100mA.

Operating Temperature: -65°C~+125°C.

RoHS Compliant.

A

B

C

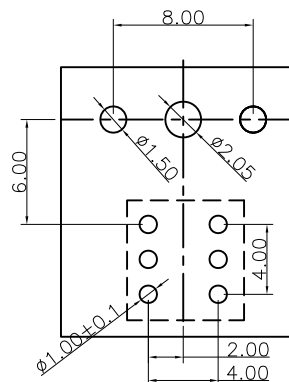
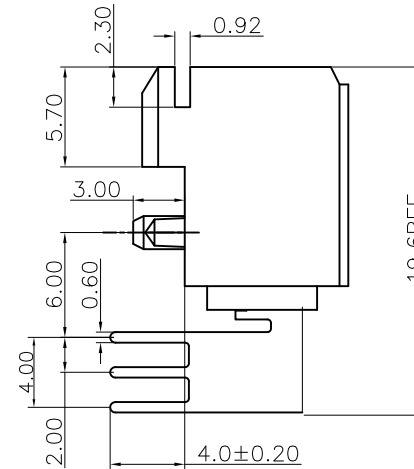
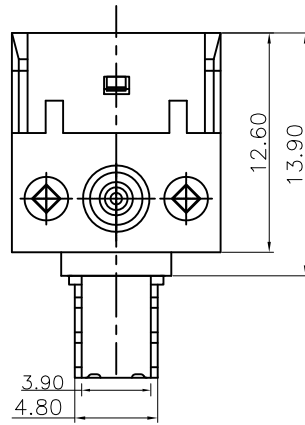
D

E

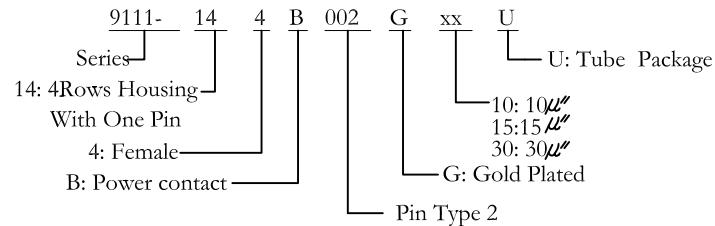
F

G

H



P.C. Board Layout
Tolerance±0.05



Tolerances	Drawn No.	9111D14402		Title:	
x = ±0.5	Projection	⊕ ⊖		9111 Series H.D.2.0mm Female Power Connector	
.x = ±0.25	Unit	mm	Scale		1:1
.xx = ±0.15	Drawn By	Michael 07/30'09			

OUPIN			
OUPIN ELECTRONIC(KUNSHAN) CO., LTD.			
P/N: 9111-144B002GxxU			
SHEET	1/1	Ver.No.	R3

A

B

C

D

E

F

G

H