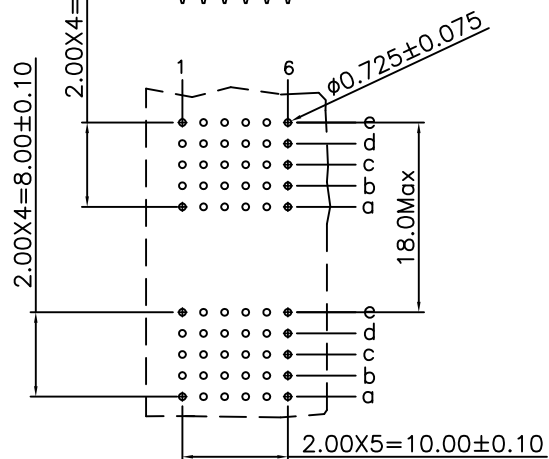
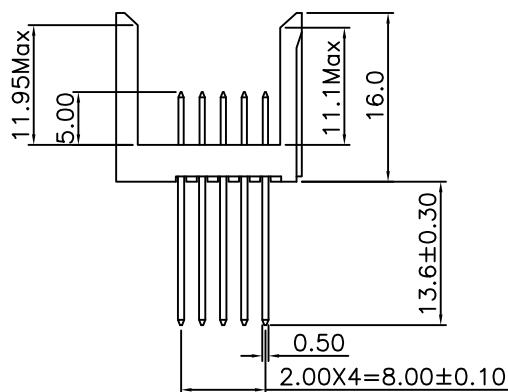
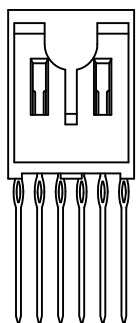
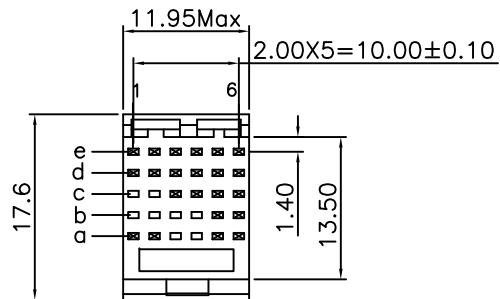


REV.	SPECIFICATION	ECN NO.	APPD.
R1			



P.C. Board Layout

Material:

Housing: High Temperature Plastic UL94V-0.
 Contacts: Copper Alloy.

Electrical Characterstics:

Current Rating: 1 AMP.
 Dielectric Withstanding Voltage: AC 1000V For 1 minute.
 Insulator Resistance: 1000MΩ min. at DC 500V.
 Contact Resistance: 30mΩ max. at DC 100mA.
 Operating Temperature: -55°C ~+125°C .

***RoHS Compliant**

9111- 5 1 30 J GC 10 P U
 Series 5: 5Rows 1: Male Signal Position J: J Type
 GC: Gold Plated on both end of Contact areas over Nickel.
 G: Gold Plated
 U: Tube Package
 P: Press Fit Type
 10: 10u"
 30: 30u"

Tolerances	Dwg No.	9111D51066	
x = ±0.5	Projection		
.x = ±0.25	Unit	mm	Scale 1:1
.xx = ±0.15	Drawn By	WP 06/08'15	

Title: 9111 Series
 H.D. Male 2.0mm
 Futurebus(+) 5 Rows
 Straight Type

OUPIIN ELECTRONIC(KUNSHAN) CO., LTD.			
P/N: 9111-5130JGC10PU			
SHEET	1/1	Ver.No.	R1