

REV.	SPECIFICATION	ECN NO.	APPD.
R8		ECN180924	

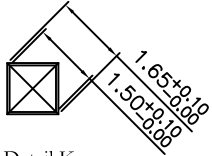
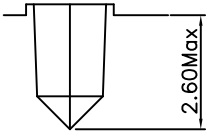
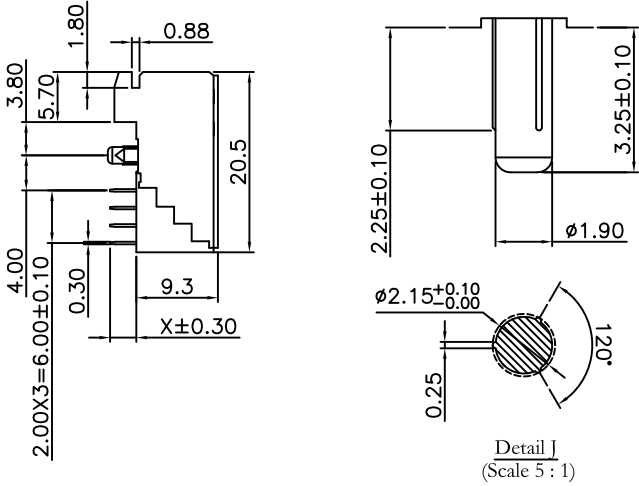
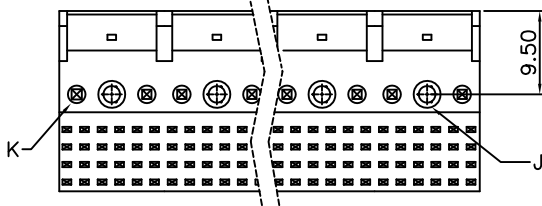
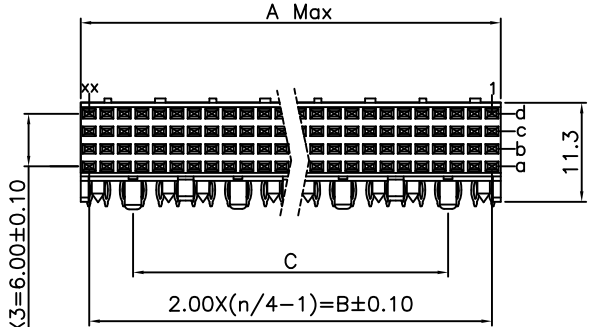
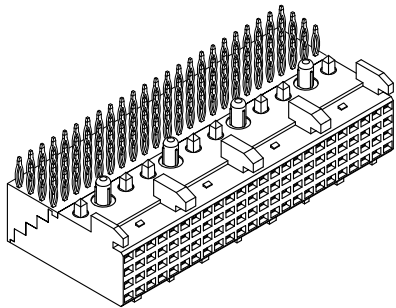
Material and Plating:

Housing: LCP, UL94V-0, Ivory.
 Signal Contacts: Phosphor bronze.
 Gold Plated on Contact Area and 80u" Min Tin Plated or Gold Flash on Press Fit over nickel 50u" Min .

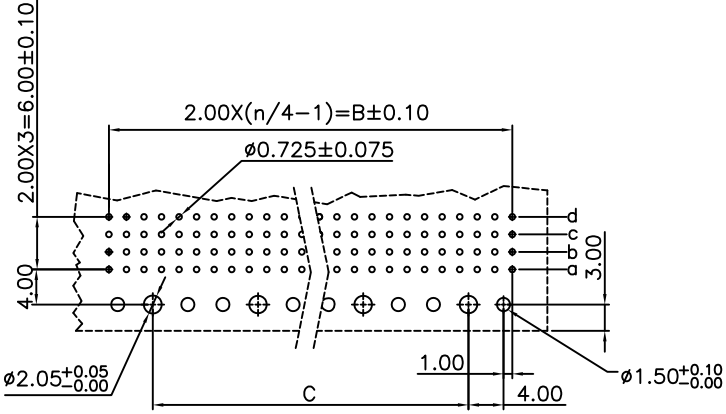
Electrical Characteristics:

Current Rating: 1 AMP.
 Dielectric Withstanding Voltage: AC 1000V For 1 minute.
 Insulator Resistance: 1000MΩ min. at DC 500V.
 Contact Resistance: 30mΩ max. at DC 100mA.
 Operating Temperature: -55°C~+125°C .

***RoHS Compliant**



X Length	1	2
	2.90	3.53



P.C.Board Layout
(Tolerance:±0.05)

9111- 4 2 xx x C xx P U
 Series 4: 4Rows
 2: Female Signal
 Position
 1: Dip Length
 2: Dip Length
 U: Tube Package
 P: Press Fit Type
 10: 10 μ"
 30: 30 μ"
 C: Dip Tin Plated
 Contact Gold Plated
 G: Gold Plated

Position (n)	Dimension		
	A	B	C
24	11.95	10.0	0
48	23.95	22.0	12.0
72	35.95	34.0	24.0
96	47.95	46.0	36.0
120	59.95	58.0	48.0
144	71.95	70.0	60.0
168	83.95	82.0	72.0
192	95.95	94.0	84.0

Tolerances	Dwg. No.	9111D42002
x = ±0.5	Projection	
.x = ±0.25	Unit	mm
.xx = ±0.15	Scale	1:1
	Drawn By	XFF 09/18/18

Title: 9111 Series
 HD. Female 2.0mm
 Press Fit Type 4 Rows

OUPIN			
OUPIN ELECTRONIC(KUNSHAN) CO., LTD.			
P/N: 9111-42xxxCxxPU			
SHEET	1/1	Ver.No.	R8