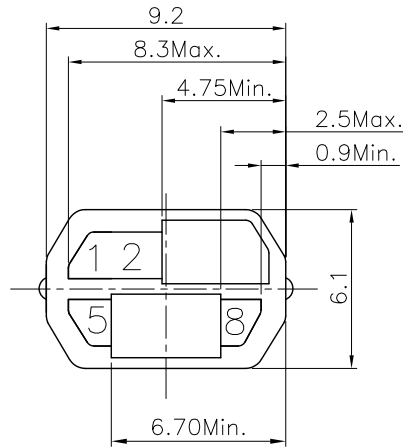


| | | | |
|------|---------------|---------|-------|
| REV. | SPECIFICATION | ECN NO. | APPD. |
| R1 | | | |



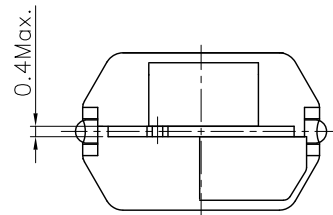
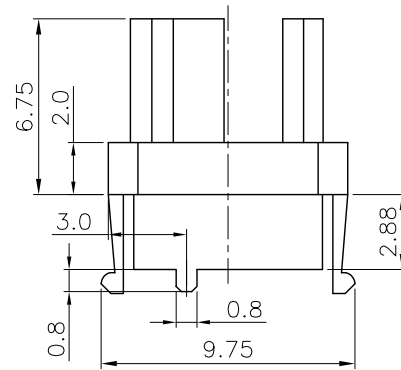
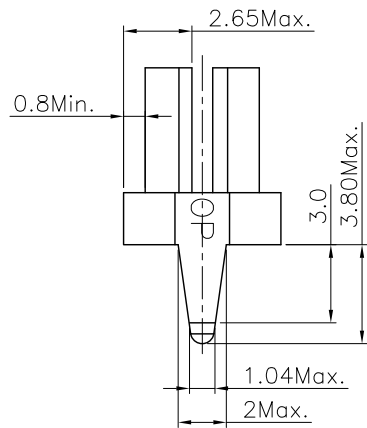
Material:

Housing: 30% Glass Filled PBT UL94V-0.


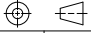
Electrical Characteristics:

Operating Temperature: -55°C ~ +105°C .

***RoHS Compliant**



9111- F K 1258 B
 Series — Female — Coding Key — Bulk Package — Key Position Type

| | | | | | | | | | | |
|-------------|------------|---|-------|-------------|-------------------|---|-------|-----|---------|----|
| Tolerances | Drawn No. | 9111D02006 | | Title: | |  OUPIN ELECTRONIC(KUNSHAN) CO., LTD. P/N: 9111-FK1258B | | | | |
| x = ±0.5 | Projection |  | | 9111 Series | | | | | | |
| .x = ±0.25 | Unit | mm | Scale | 1:1 | Female Coding Key | | SHEET | 1/1 | Ver.No. | R1 |
| .xx = ±0.15 | Drawn By | GJ 1/12'09 | | | | | | | | |