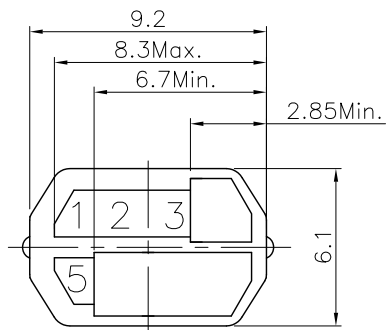


REV.	SPECIFICATION	ECN NO.	APPD.
R1			



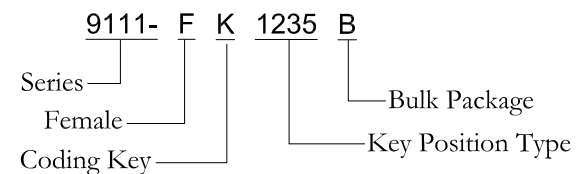
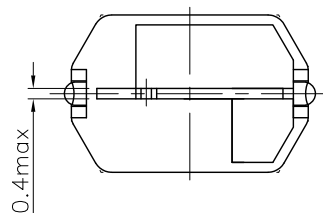
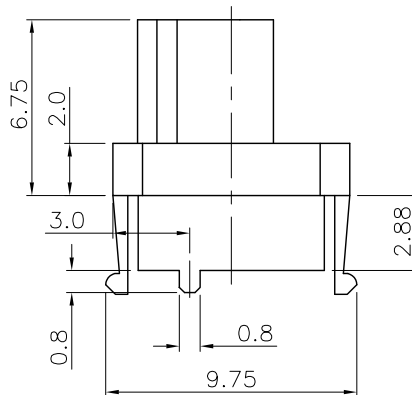
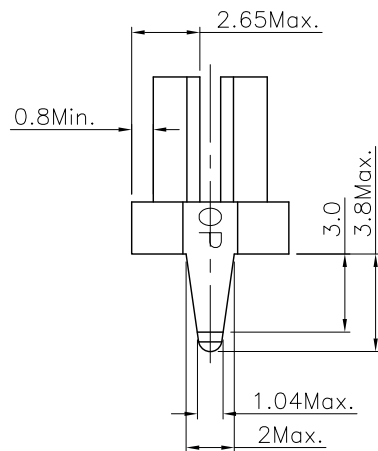
Material:


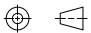
Housing: 30% Glass Filled PBT UL94V-0.

Electrical Characteristics:

Operating Temperature: -55°C ~ +105°C .

***RoHS Compliant**



Tolerances	Drawn No.	9111D02005		Title:		 OUPIIN ELECTRONIC(KUNSHAN) CO., LTD. P/N: 9111-FK1235B SHEET 1/1 Ver.No. R1			
x = ±0.5	Projection			9111 Series					
.x = ±0.25	Unit	mm	Scale	1:1					
.xx = ±0.15	Drawn By	GJ 1/12'09		Female Coding Key					