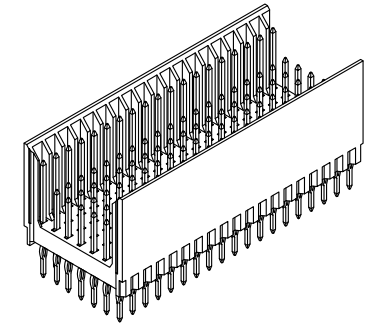
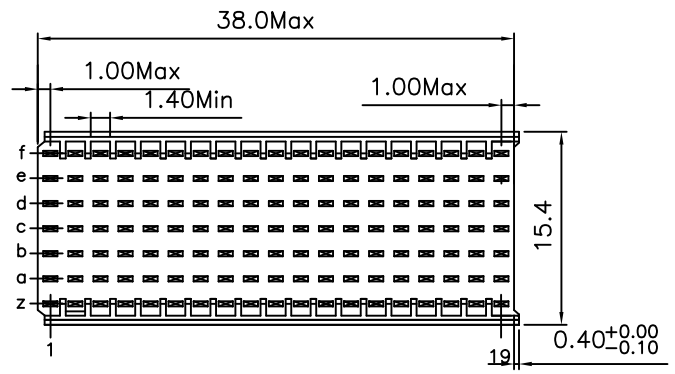


REV.	SPECIFICATION	ECN NO.	APPD.
R3		ECN181154	



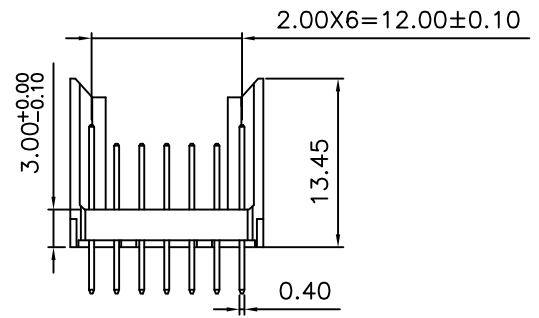
Material and Plating:

Housing: PBT, UL94V-0, Beige.
 Contacts: Brass.
 Gold Plated on Contact Area and 80 μ" min Tin or Gold Flash Plated on Press Fit over 50 μ" min Nickel.
 Or Au+Pd/Ni on Contact Area and 80u" min Tin on Press Fit over 50 u" min Nickel.

Electrical Characteristics:

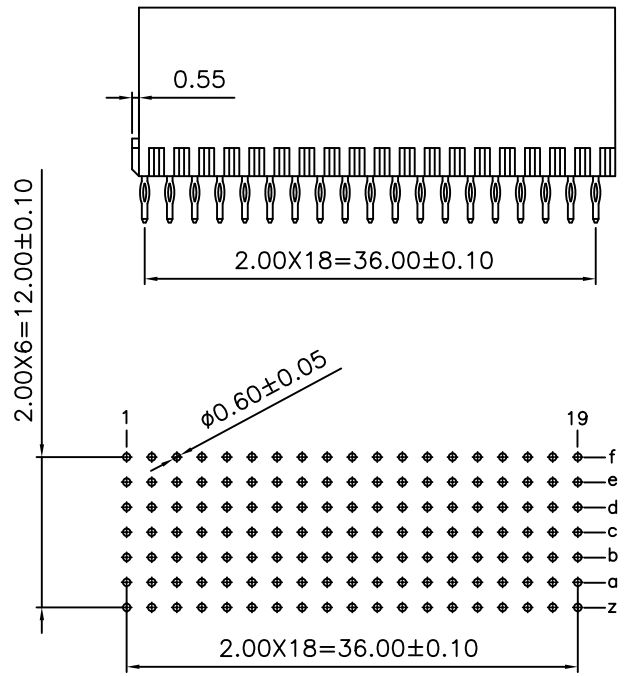
Current Rating: 1 AMP.
 Dielectric Withstanding Voltage: AC 750V For 1 minute.
 Insulator Resistance: 10000MΩ min.at DC 500V.
 Contact Resistance: 20mΩ max.at DC 100mA.
 Operating Temperature: -55°C ~ +125°C.

***RoHS Compliant**



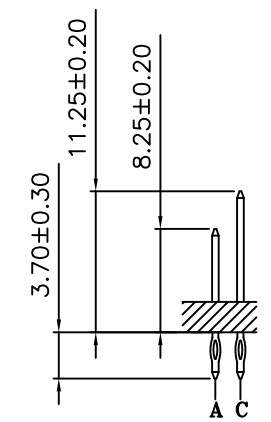
f	C	C	C	C	C	C	C	C	C	C	C	C	C	C	C	C	C	C	
e	A	A	A	A	A	A	A	A	A	A	A	A	A	A	A	A	A	A	
d	A	A	A	A	A	A	A	A	A	A	A	A	A	A	A	A	A	A	
c	A	A	A	A	A	A	A	A	A	A	A	A	A	A	A	A	A	A	
b	A	A	A	A	A	A	A	A	A	A	A	A	A	A	A	A	A	A	
a	A	A	A	A	A	A	A	A	A	A	A	A	A	A	A	A	A	A	
z	C	C	C	C	C	C	C	C	C	C	C	C	C	C	C	C	C	C	
	1	2	3	4	5	6	7	8	9	10	11	12	13	14	15	16	17	18	19

CONTACT LAYOUT



P.C. Board Layout
(Top View)

9111- 7 1 B 133 B C xx U
 Series | 7 Row | 1: Male | B: Type B | Housing Type | B:B Option | U: Tube Package | 10: 10 u" | 30: 30 u" | C: Dip Tin Contact Gold | CB30: 30u" Au+Pd/Ni Plated on Contact Area ,Dip Tin | G: Gold Plated



Tolerances	Dwg.No.	9111D71026	
x = ±0.5	Projection		
.x = ±0.25	Unit	mm	Scale 1:1
.xx = ±0.15	Drawn By	dyq 11/29'18	

9111 Series
 2.00 Hard Meterlic
 Connectors Male
 Type B-19

OUPIN			
OUPIN ELECTRONIC(KUNSHAN) CO., LTD.			
P/N: 9111-71B133BC(CB)xxU			
SHEET	1/1	Ver.No.	R3