

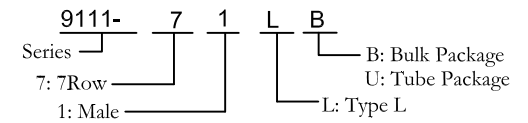
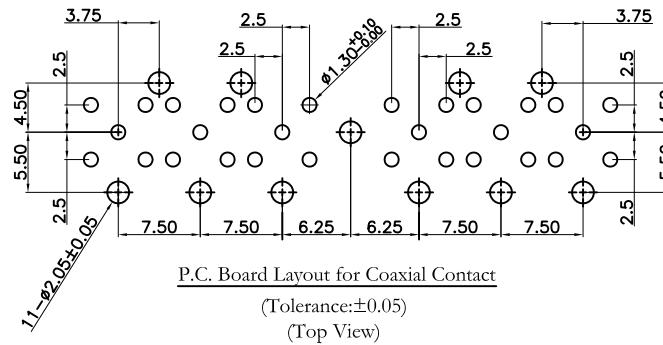
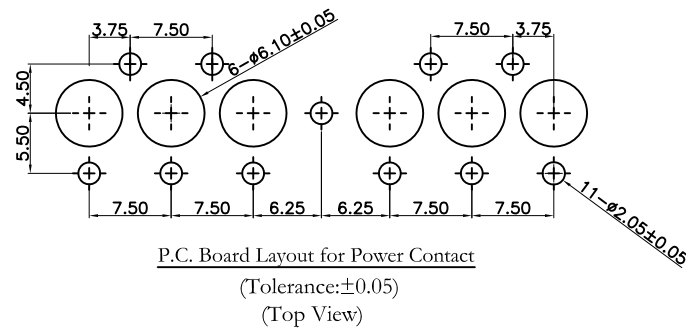
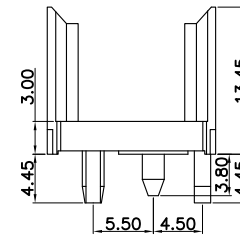
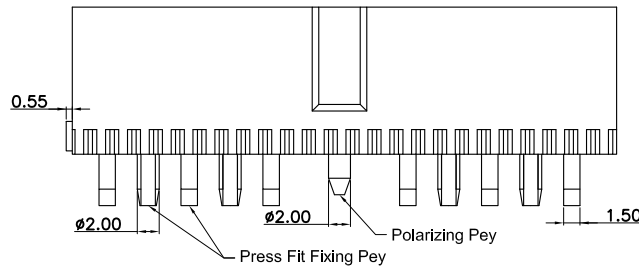
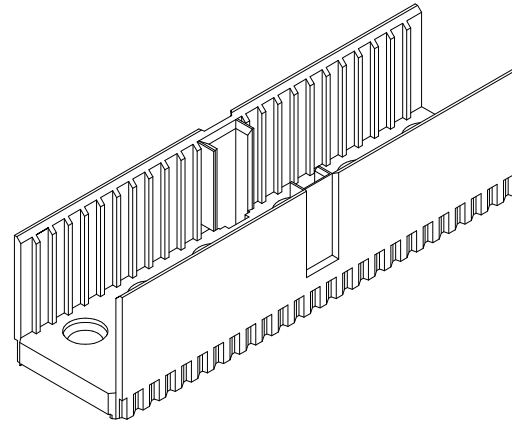
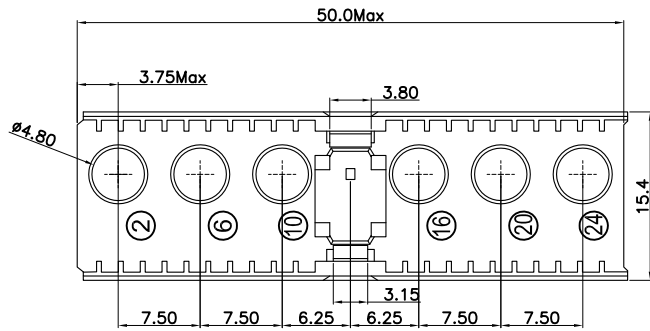
REV.	SPECIFICATION	ECN NO.	APPD.
R3		ECN161013	

Material:

Housing: Thermoplastic Polyester Glass Filled UL94V-0.

Electrical Characteristics:
Operating Temperature: -55°C ~+125°C .

***RoHS Compliant**



Tolerances	Dwg. No.	9111D71007		Title:	
x = ±0.5	Projection	⊕		9111 Series	
.x = ±0.25	Unit	mm	Scale	Hard Metric	
.xx = ±0.15	Drawn By	LQ 11/11'16	1:1	connectors Male	
				type L Housing	

OUPIN			
OUPIN ELECTRONIC(KUNSHAN) CO., LTD.			
P/N: 9111-71LB			
SHEET	1/1	Ver.No.	R3