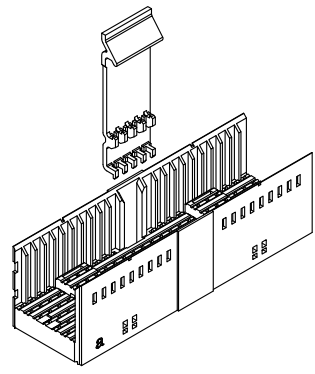
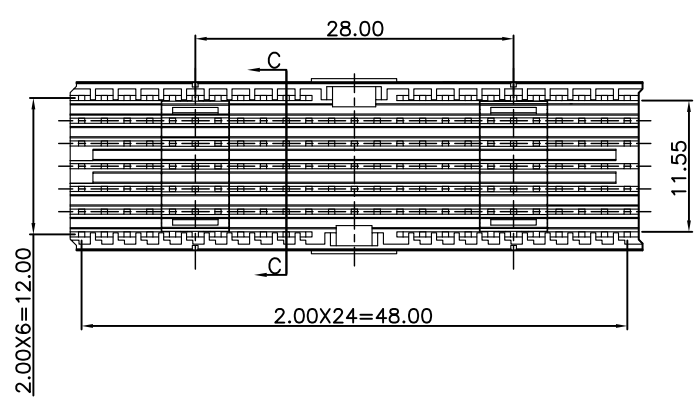


REV.	SPECIFICATION	ECN NO.	APPD.
R4		ECN150305	



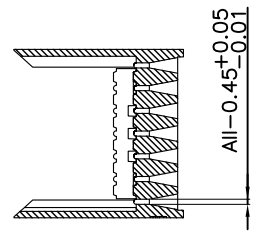
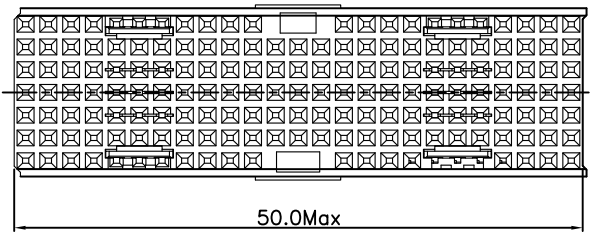
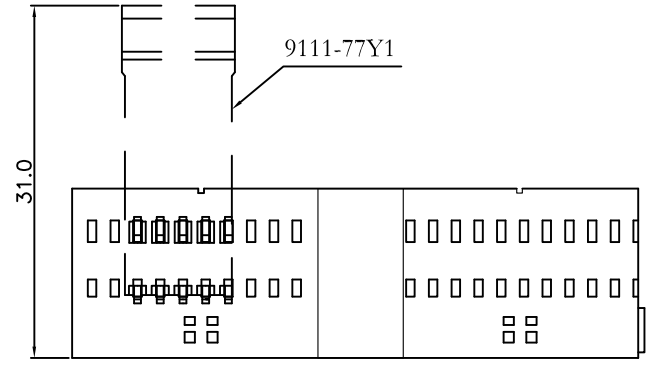
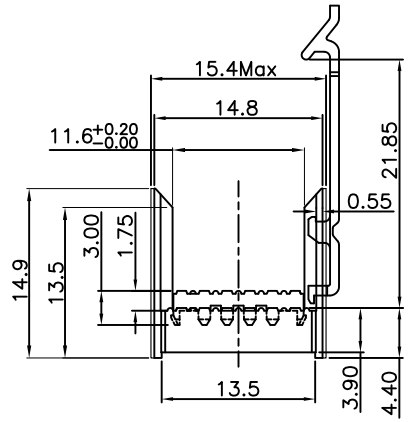
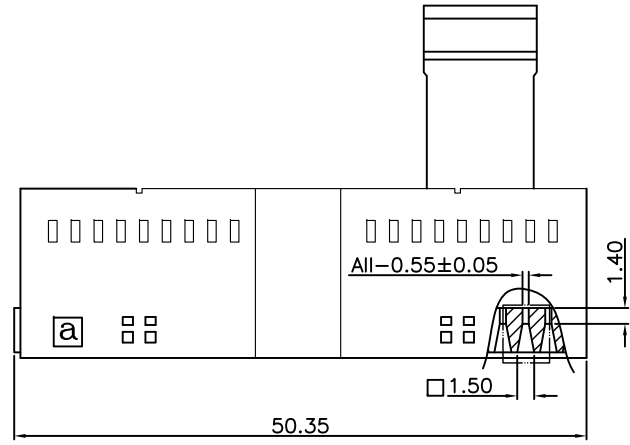
Material:

Housing: Thermoplastic Polyester Glass Filled UL94V-0.
 Latch: Thermoplastic Polyester Glass Filled UL94V-0.

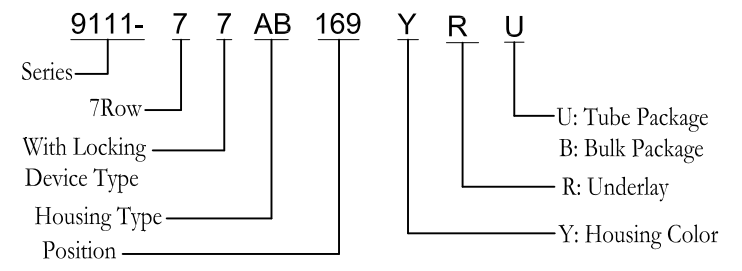
Electrical Characteristics:

Operating Temperature: -55°C ~+ 125°C .

***RoHS Compliant**



Section: C-C
Scale: 1:1



Tolerances	Dwg. No.	9111D77006	
x = ±0.5	Projection	⊕ ⊖	
.x = ±0.25	Unit	mm	Scale 1:1
.xx = ±0.15	Drawn By	zbs 03/31'15	

Title:
 9111 Series
 H.D. 2.0mm
 Male Shroud

OUPIN			
OUPIN ELECTRONIC(KUNSHAN) CO., LTD.			
P/N: 9111-77AB169YRU			
SHEET	1/1	Ver.No.	R4