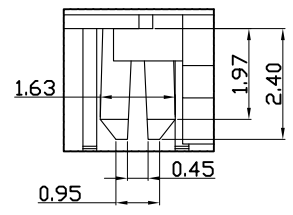
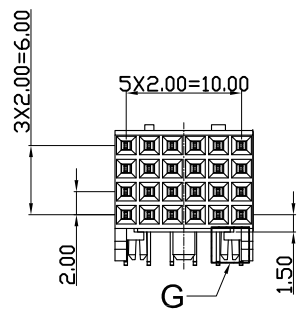
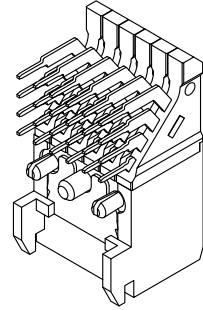


REV.	SPECIFICATION	ECN NO.	APPD.
RI			



Detail G
Scale: 4 : 1



Material:

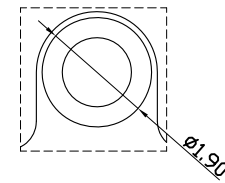
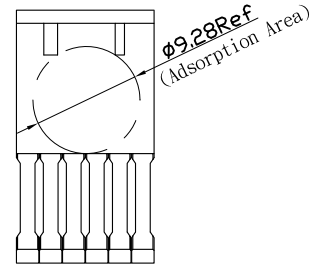
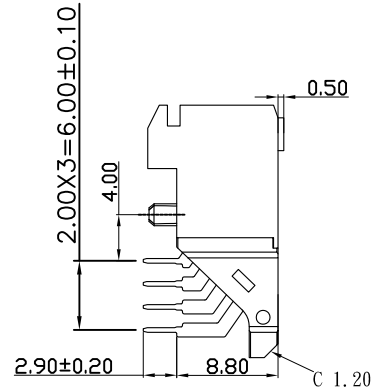
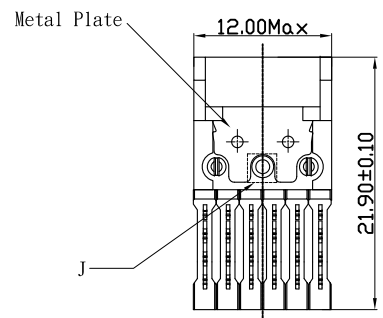
Housing: High Temperature Plastic UL94V-0
Contacts: Copper Alloy.

Electrical Characteristics:

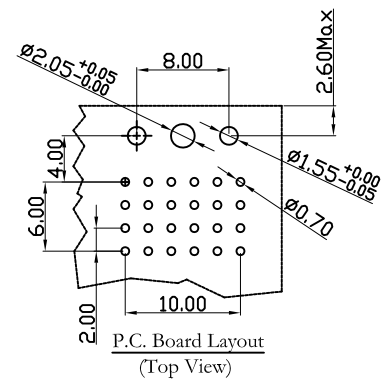
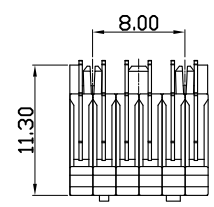
Current Rating: 1 AMP.
Dielectric Withstanding Voltage: AC 1000V For 1 minute.
Insulator Resistance: 1000MΩ min. at DC 500V.
Contact Resistance: Row a 25mΩ max.
Row b 35mΩ max.
Row c 40mΩ max.
Row d 45mΩ max.

Operating Temperature: -55°C ~+125°C .

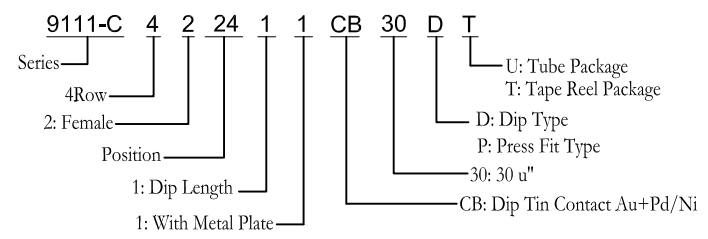
***RoHS Compliant**



Detail: J
(Scale 5:1)



P.C. Board Layout
(Top View)



Tolerances	Dwg. No.	9111D42017		Title:	9111-C Series Hard Metric Connector Female Right Angle Type	
x = ±0.5	Projection					
.x = ±0.25	Unit	mm	Scale	1:1		
.xx = ±0.15	Drawn By	Kevin 08/06/15				

OUPIIN			
OUPIIN ELECTRONIC(KUNSHAN) CO., LTD.			
P/N: 9111-C422411CB30DT			
SHEET	1/1	Ver.No.	R1