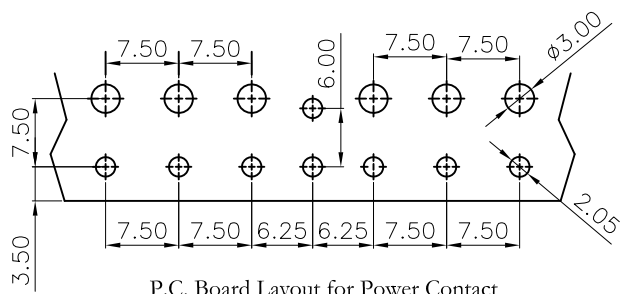
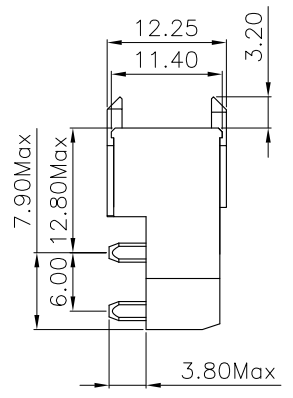
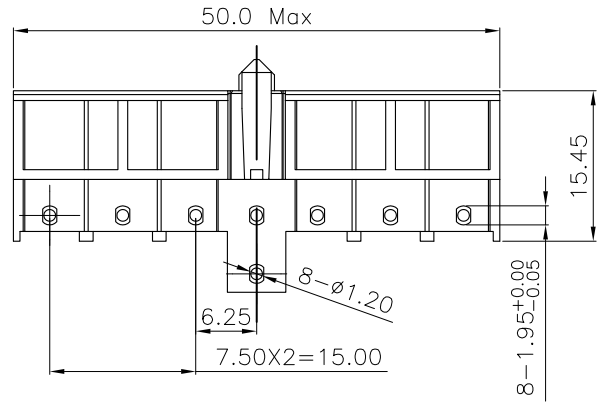
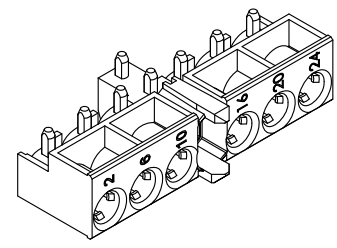
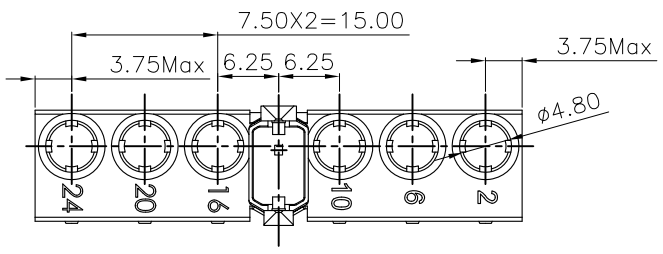
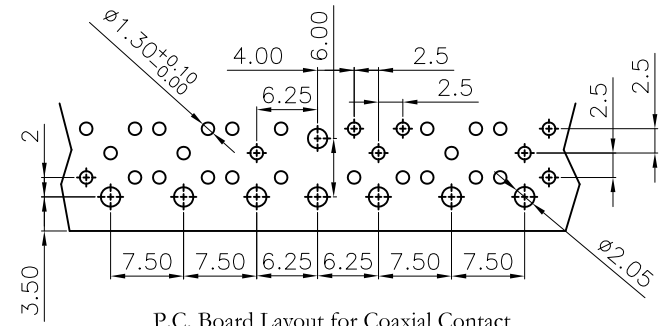


REV.	SPECIFICATION	ECN NO.	APPD.
R3		ECN161013	

Material:
Housing: High Temperature Plastic UL94V-0.
Electrical Characteristics:
Operating Temperature: -55°C ~+125°C .
***RoHS Compliant**



P.C. Board Layout for Power Contact
Tolerance ±0.05
(Top View)



P.C. Board Layout for Coaxial Contact
Tolerance ±0.05
(Top View)

9111- 7 2 L B
Series | 7Row | 2: Female | L: Type L, 6 Cavities | B: Bulk Package

Tolerances	Drawn No.	9111D72007		Title:	
x = ±0.5	Projection	⊕ ↗		9111 Series	
.x = ±0.25	Unit	mm	Scale	H.D. METRIC	
.xx = ±0.15	Drawn By	LQ 10/22'16	Scale	HOUSING	

9111 Series
H.D. METRIC
HOUSING

OUPIN			
OUPIN ELECTRONIC(KUNSHAN) CO., LTD.			
P/N: 9111-72LB			
SHEET	1/1	Ver.No.	R3