

REV.	SPECIFICATION	ECN NO.	APPD.
R1			

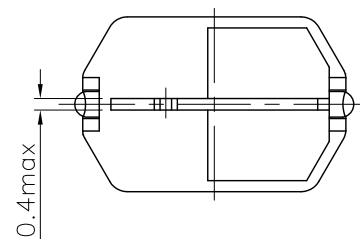
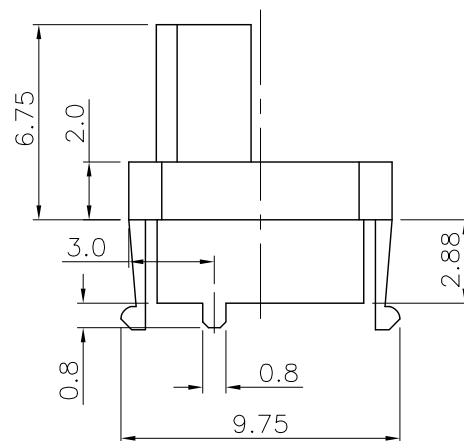
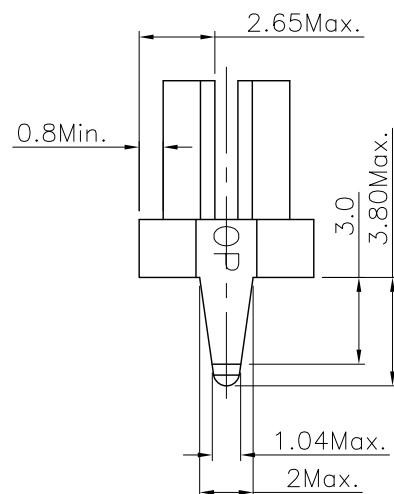
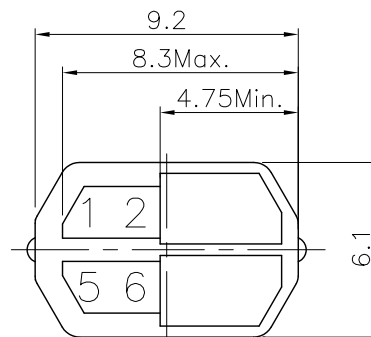
Material:

Housing: 30% Glass Filled PBT UL94V-0.

Electrical Characteristics:


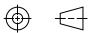
Operating Temperature: -55°C ~ +105°C .

***RoHS Compliant**



9111- F K 1256 B

Series — Female — Coding Key — Bulk Package — Key Position Type

Tolerances x = ±0.5 .x = ±0.25 .xx = ±0.15	Drawn No.	9111D02004		Title: 9111 Series Female Coding Key				 OUPIIN ELECTRONIC(KUNSHAN) CO., LTD.			
	Projection										
	Unit	mm	Scale	1:1	SHEET	1/1	Ver.No.	R1			
	Drawn By	GJ 1/12'09									