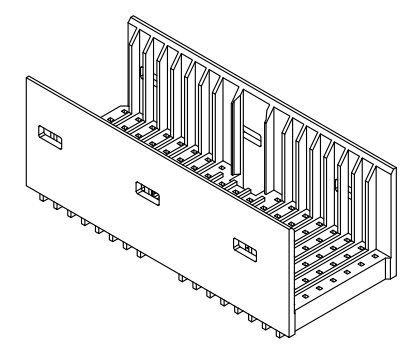
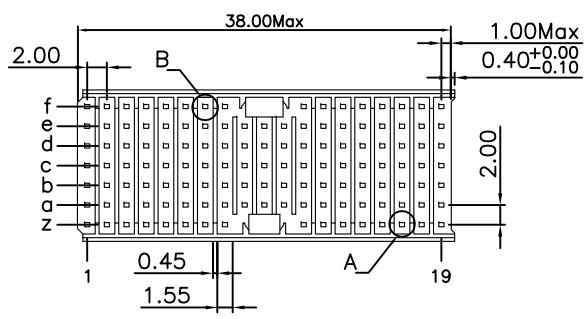
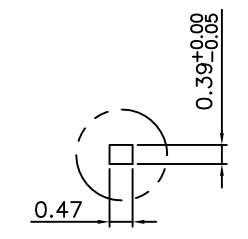
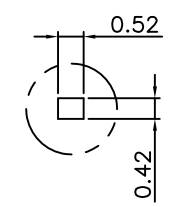
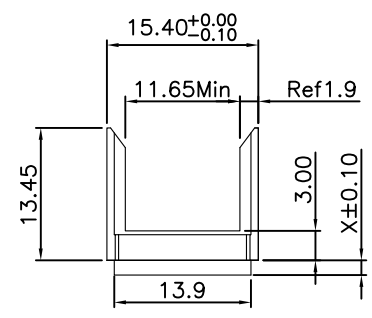
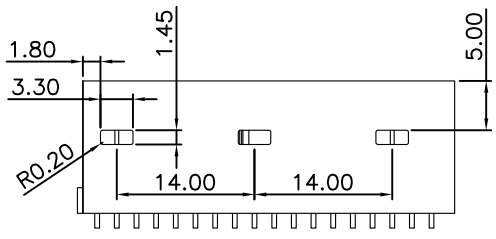


REV.	SPECIFICATION	ECN NO.	APPD.
R3		ECN121231	

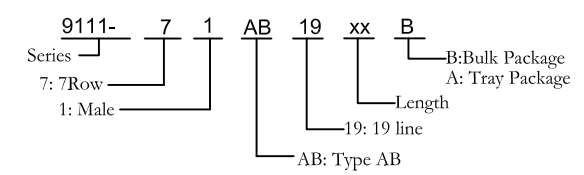
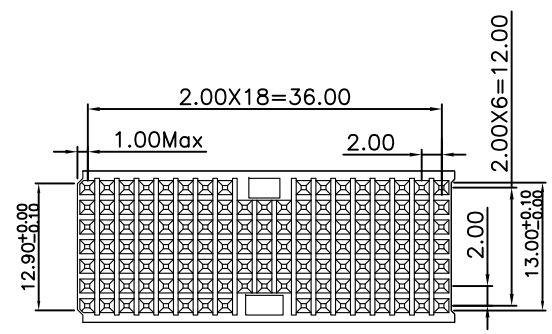


**Material:**  
Housing: Thermoplastic Polyester Glass Filled UL94V-0  
**Electrical Characteristics:**  
Dielectric Withstanding Voltage: AC 750V For 1 minute.  
Insulator Resistance: 10000MΩ min.at DC 500V.  
Operating Temperature: -55°C ~ +125°C.  
**\*RoHS Compliant**



Detail A

(4,5,6,14,15,16P)  
Detail B



X	Length
00	0.00
01	0.90
02	1.10
03	1.30
04	1.50
05	1.70
06	1.90
07	2.20
08	3.00

Tolerances	Dwg. No.	9111D71175		Title:	9111 Series 2.00 Hard Metric connectors shrouds type AB Housing	 <b>OUPIIN ELECTRONIC(KUNSHAN) CO., LTD.</b>					
	x = ±0.5	Projection								P/N: 9111-71AB19xxB	
	.x = ±0.25	Unit	mm			Scale	1:1	SHEET	1/1	Ver.No.	R3
	.xx = ±0.15	Drawn By	CQ 12/14'12								