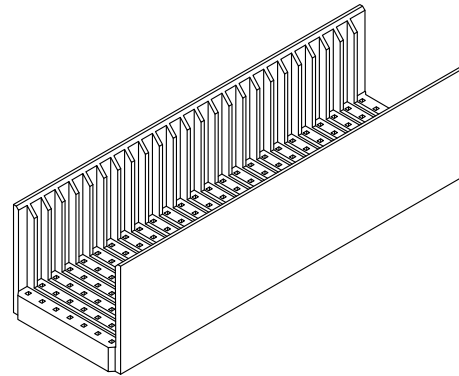
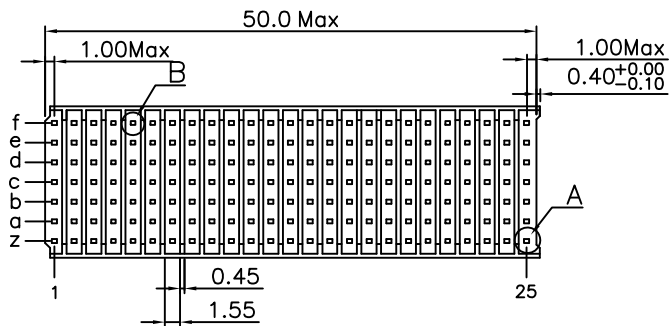


REV.	SPECIFICATION	ECN NO.	APPD.
R1			



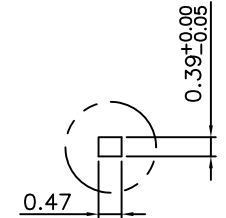
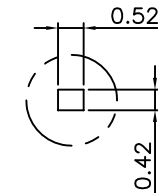
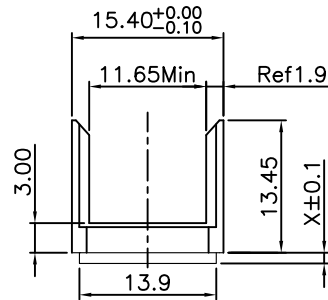
**Material:**

Housing: Thermoplastic Polyester Glass Filled UL94V-0

**Electrical Characteristics:**

Operating Temperature: -55°C ~ +125°C .

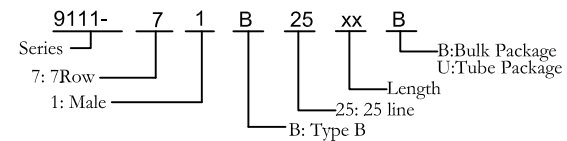
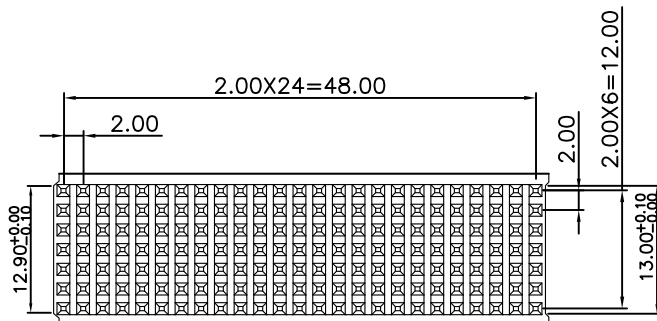
**\*RoHS Compliant**



(4,5,6,20,21,22P)

Detail A

Detail B



X	Length
00	0.00
01	0.90
02	1.10
03	1.30
04	1.50
05	1.70
06	1.90
07	2.20
08	3.00

Tolerances	Drawn No.	9111D71165
x = ±0.5	Projection	
.x = ±0.25	Unit	mm
.xx = ±0.15	Scale	1:1
	Drawn By	Emp 05/06/10'

Title: 9111 Series  
2.00 Hard Metric  
connectors shrouds  
type B Housing

<b>OUPIN</b>			
OUPIN ELECTRONIC(KUNSHAN) CO., LTD.			
P/N: 9111-71B25xxB			
SHEET	1/1	Ver.No.	R1