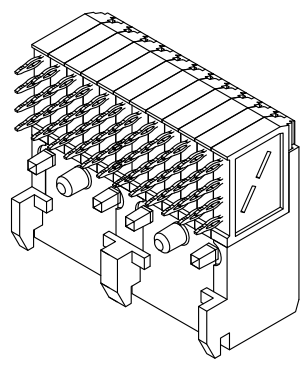
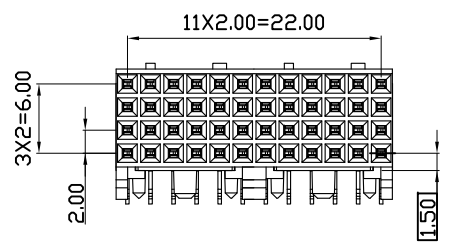


REV.	SPECIFICATION	ECN NO.	APPD.
R4		ECN171150	



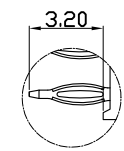
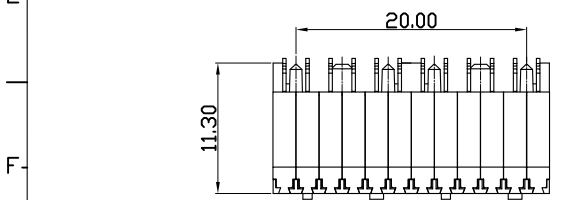
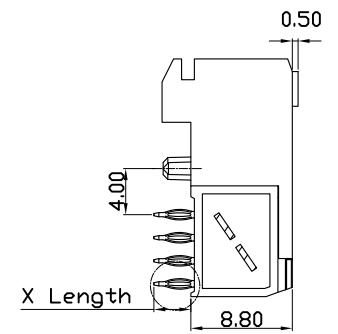
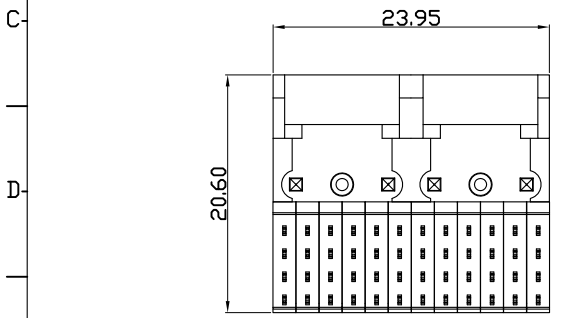
**Material:**

**Housing:** High Temperature Plastic UL94V-0  
**Contacts:** Copper Alloy.  
 10u" Au on Contact Area and 80u" Min Tin Plated on Solder Tail over nickel 50u" Min .

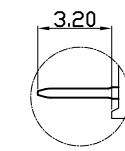
**Electrical Characteristics:**

**Current Rating:** 1 AMP.  
**Dielectric Withstanding Voltage:** AC 1000V For 1 minute.  
**Insulator Resistance:** 1000MΩ min. at DC 500V.  
**Contact Resistance:** 30mΩ max. at DC 100mA.  
**Operating Temperature:** -55°C ~+125°C .

**\*RoHS Compliant**

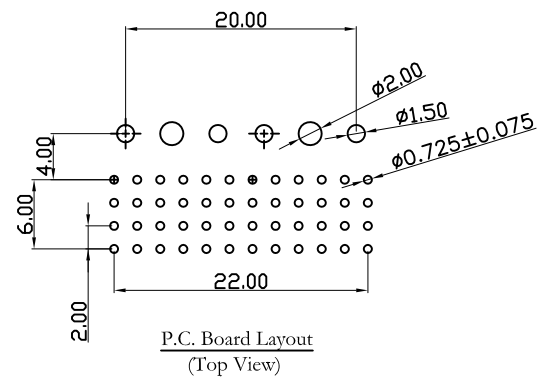


Press Fit Type



Dip Type

9111-A 4 2 48 1 0 C xx P U  
 Series 4Row 2: Female Position 1: Dip Length 0: None Metal Plate 1: With Metal Plate  
 U: Tube Package T: Tape Reel Package  
 D: Dip Type P: Press Fit Type  
 10: 10 u" 30: 30 u"  
 C: Selective Gold Plated CB: Dip Tin Contact Au+Pd/Ni



<b>Tolerances</b>	<b>Dwg. No.</b>	9111-D0000-023	
x = ±0.5	<b>Projection</b>	⊕ ⊖	
.x = ±0.25	<b>Unit</b>	mm	<b>Scale</b> 1:1
.xx = ±0.15	<b>Drawn By</b>	YS 11/22'17	

**Title:** 9111 Series  
 Hard Metric Connector  
 Female Right Angle Type

<b>OUPIN</b>			
OUPIN ELECTRONIC(KUNSHAN) CO., LTD.			
P/N: 9111-A42481xCxxPU			
<b>SHEET</b>	1/1	<b>Ver.No.</b>	R4