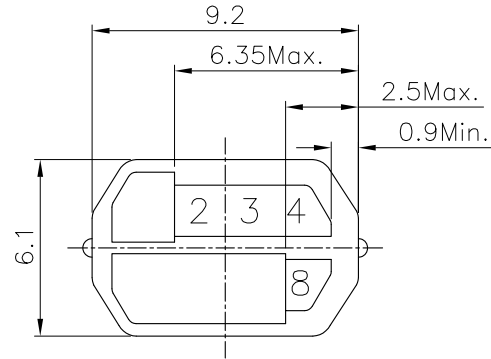


|      |               |         |       |
|------|---------------|---------|-------|
| REV. | SPECIFICATION | ECN NO. | APPD. |
| R1   |               |         |       |



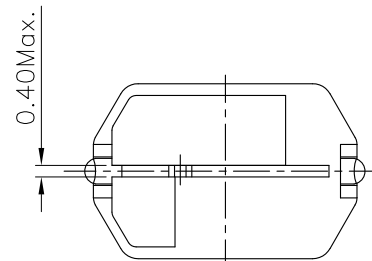
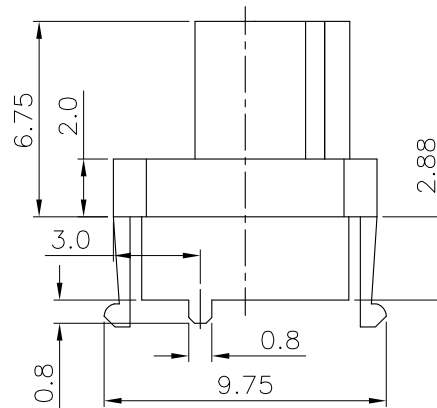
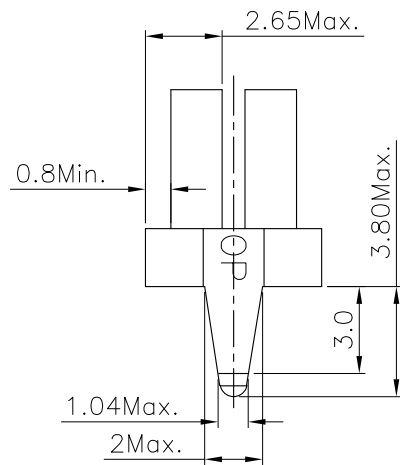
**Material:**

Housing: 30% Glass Filled PBT UL94V-0.

**Electrical Characteristics:**

Operating Temperature: -55°C ~ +105°C .

**\*RoHS Compliant**



9111- F K 2348 B  
 Series ——— Female ——— Coding Key ——— Bulk Package ——— Key Position Type

|             |            |                 |       |             |                   |
|-------------|------------|-----------------|-------|-------------|-------------------|
| Tolerances  | Drawn No.  | 9111D02007      |       | Title:      |                   |
| x = ±0.5    | Projection | ⊕ ⊖             |       | 9111 Series |                   |
| .x = ±0.25  | Unit       | mm              | Scale | 1:1         | Female Coding Key |
| .xx = ±0.15 | Drawn By   | Liling 01/12'08 |       |             |                   |

|                                     |     |              |    |
|-------------------------------------|-----|--------------|----|
| <b>OUPIN</b>                        |     |              |    |
| OUPIN ELECTRONIC(KUNSHAN) CO., LTD. |     |              |    |
| P/N:                                |     | 9111-FK2348B |    |
| SHEET                               | 1/1 | Ver.No.      | R1 |