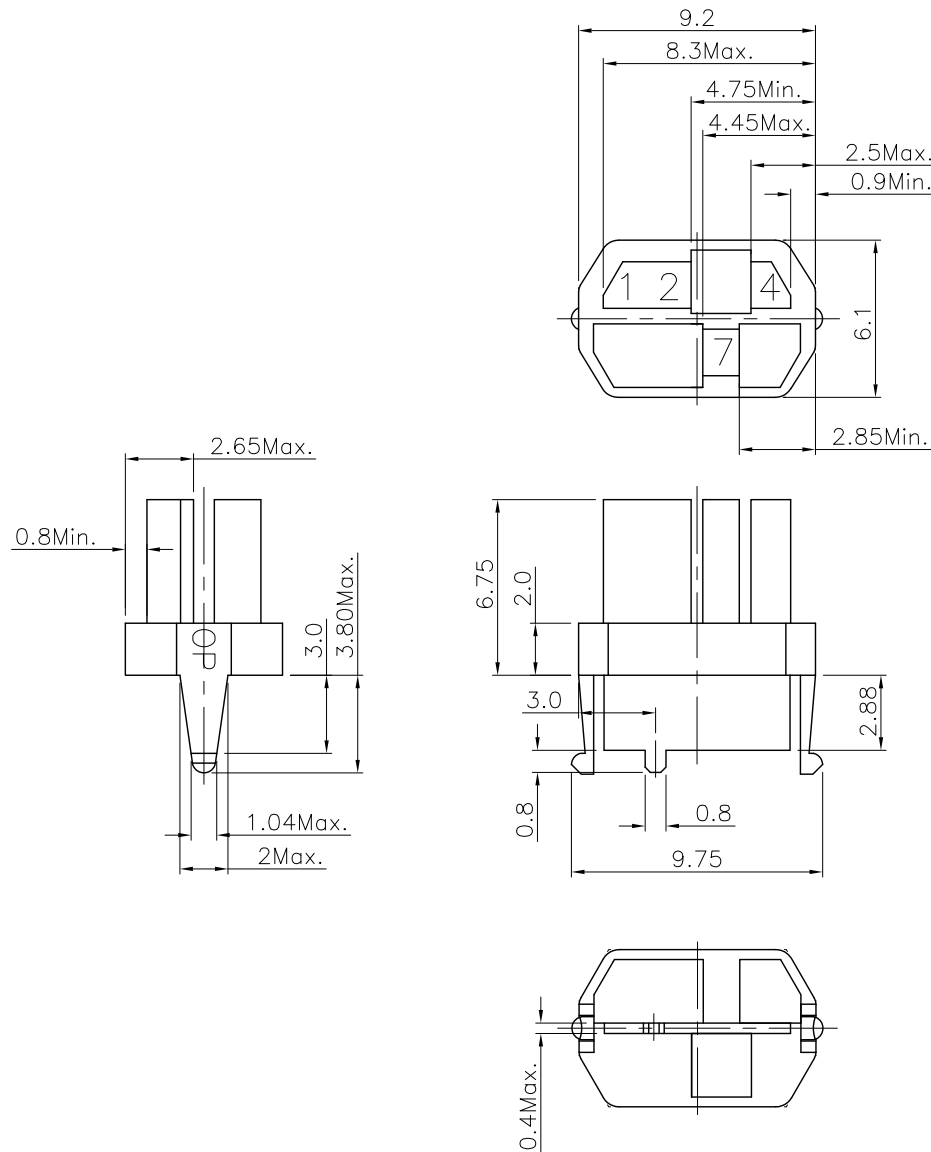

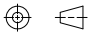


REV.	SPECIFICATION	ECN NO.	APPD.
R1			



Material:
Housing: 30% Glass Filled PBT UL94V-0.
Electrical Characteristics:
Operating Temperature: -55°C ~ +105°C .
***RoHS Compliant**

9111- F K 1247 B
Series — Female — Coding Key — Bulk Package — Key Position Type

Tolerances	Drawn No.	9111D02012		Title:		 OUPIIN ELECTRONIC(KUNSHAN) CO., LTD. P/N: 9111-FK1247B			
x = ±0.5	Projection			9111 Series					
.x = ±0.25	Unit	mm	Scale	1:1					
.xx = ±0.15	Drawn By	GJ 1/12'09		Female Coding Key					
						SHEET	1/1	Ver.No.	R1