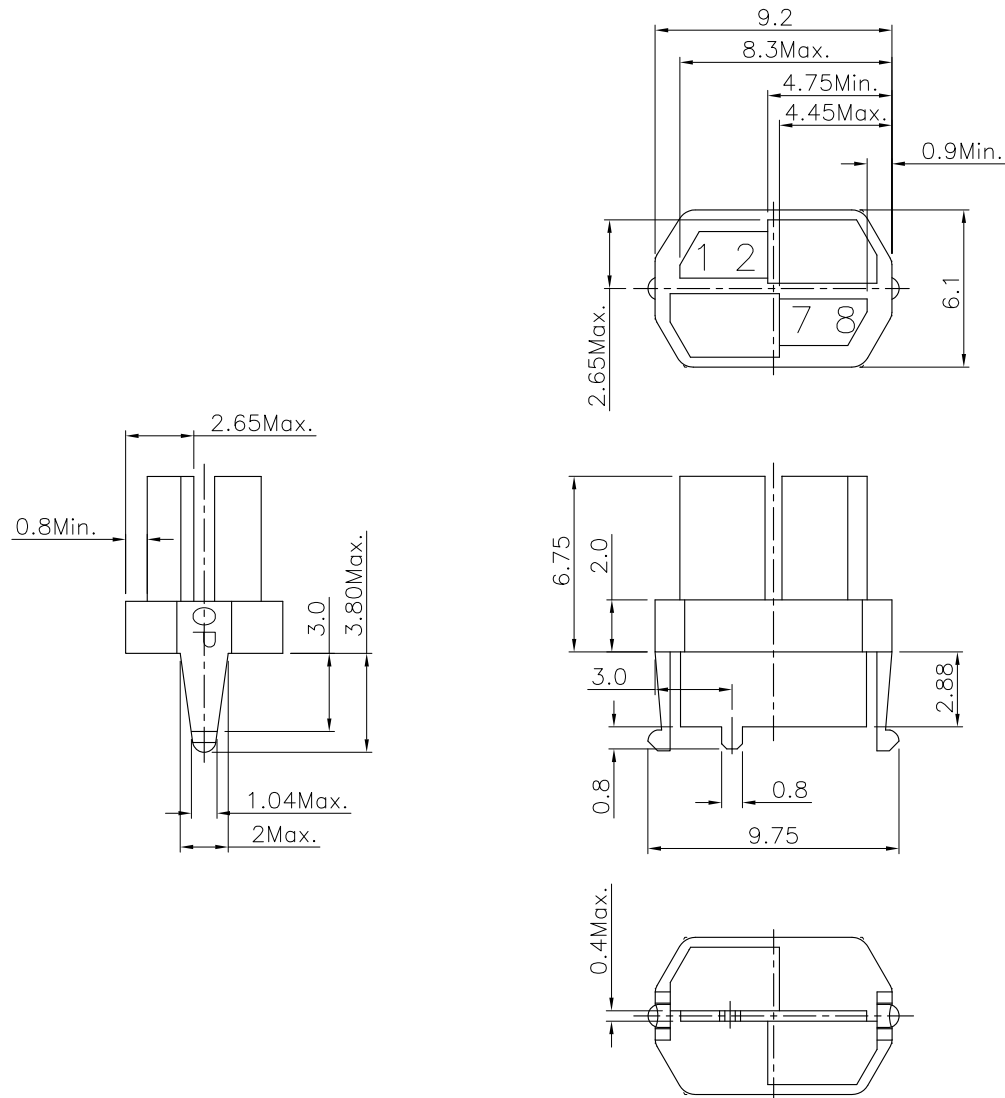


REV.	SPECIFICATION	ECN NO.	APPD.
R1			



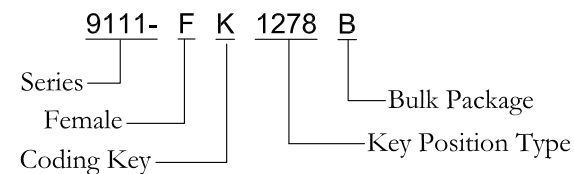
**Material:**

Housing: 30% Glass Filled PBT UL94V-0.

**Electrical Characteristics:**

Operating Temperature: -55°C ~ +105°C .

**\*RoHS Compliant**



Tolerances	Drawn No.	9111D02011		Title:	
x = ±0.5	Projection	⊕ ⊖		9111 Series	
.x = ±0.25	Unit	mm	Scale	1:1	
.xx = ±0.15	Drawn By	Liling 01/11'08		Female Coding Key	

<b>OUPIN</b>			
OUPIN ELECTRONIC(KUNSHAN) CO., LTD.			
P/N:		9111-FK1278B	
SHEET	1/1	Ver. No.	R1